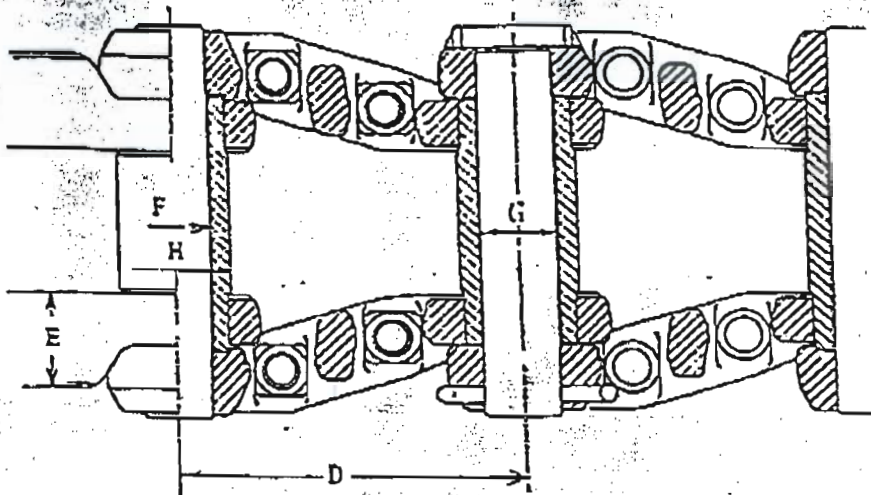




TRACK LINKS

WEAR LIMIT



STD Pads = 49

Actual \_\_\_\_\_

LEFT

RIGHT

A 109

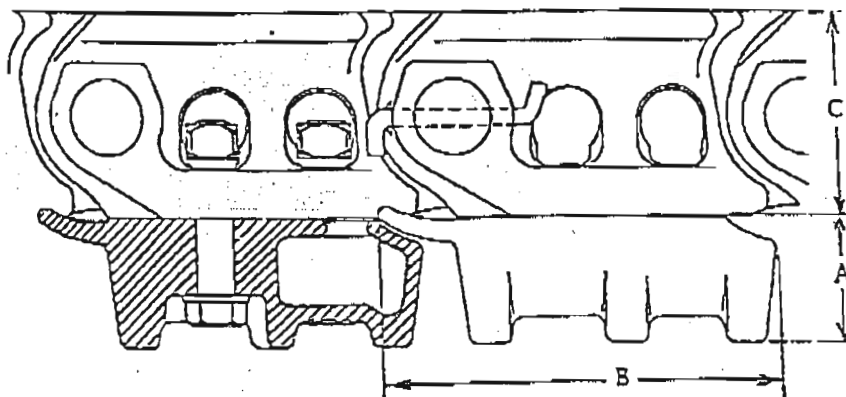
A 109

C 178

C 175

D 320 mm

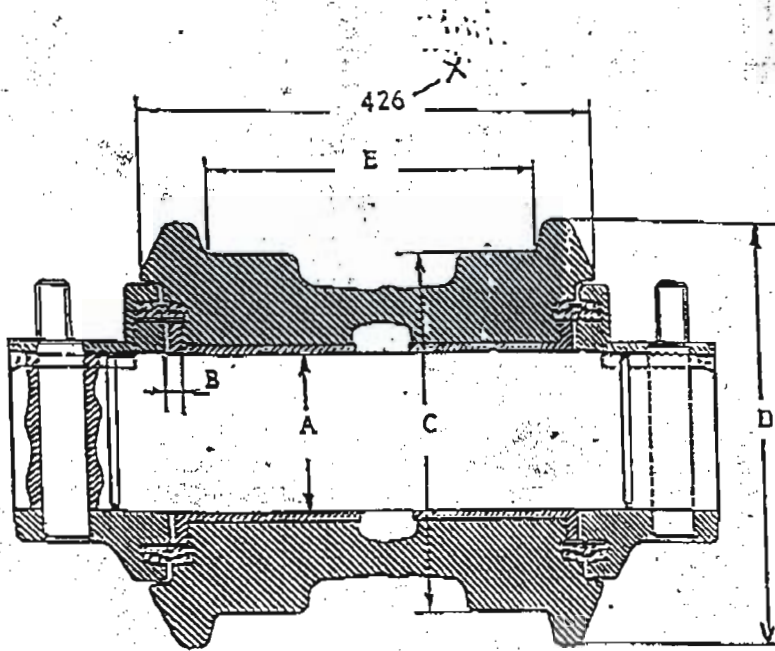
D 321 mm



Item	ND	LU	Remedy
A	120 (Up to S/N 267) 130 (S/N 268 and after)	100 (Up to S/N 267) 110 (S/N 268 and after)	Rebuild & finish
B	350	-	-
C	169 (Up to S/N 270) 197 (S/N 271 and after)	175 (Up to S/N 270) 183 (S/N 271 and after)	Rebuild & finish
D	317.5	324.5	Replace
E	84	70	Rebuild & finish
F	70.51	64	Replace
G (MASTER PIN)	70.0	66	Replace
BUSHING	H	95	Replace
	I.D.	71.2	Replace

LOWER ROLLER

2. WEAR LIMIT



Units: mm

Item	ND	LU	Remedy
A	145 $\pm \begin{smallmatrix} 0.054 \\ 0.112 \end{smallmatrix}$	144.7	Replace
B	15 $\pm \begin{smallmatrix} 0.1 \\ 0.2 \end{smallmatrix}$	13.5	"
C	330	300	"
D	390	350	"
E	316	350	"
Bushing I.D.	145 $\pm \begin{smallmatrix} 0.054 \\ 0.112 \end{smallmatrix}$	145.0	"

ND: Nominal dimension LU: Limit of use

LEFT

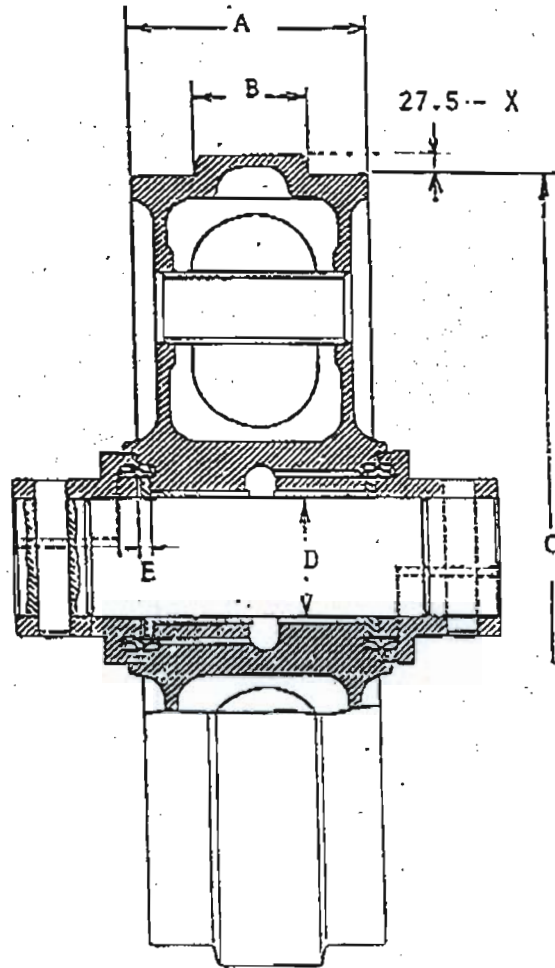
	<u>C</u>	<u>D</u>	<u>E</u>	<u>X</u>
1	324	390	330	430
2	325	379	330	430
3	325	390	329	430
4	324	380	331	430
5	325	379	330	430
6	325	379	330	430

RIGHT

	<u>C</u>	<u>D</u>	<u>E</u>	<u>X</u>
1	325	379	330	430
2	325	379	330	430
3	325	379	330	430
4	325	379	330	430
5	325	391	330	430
6	328	380	330	430

IDLER

2. WEAR LIMIT



LEFT

RIGHT

A 316

A 316

B 120

B 120

X 30

X 30

Unit: mm

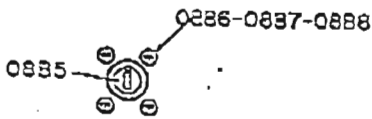
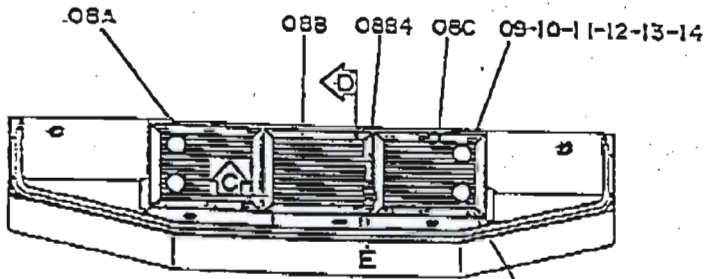
Item	ND	LU	Remedy
A	304	280	Rebuild & finish
B	144	115	"
C	1045	1015	"
D	160 <sup>-0.085</sup> <sub>0.125</sub>	159.2	Replace
E	15 <sup>-0.1</sup> <sub>0.2</sub>	13.5	"
Bushing I.D.	160 <sup>+0.48</sup> <sub>+0.42</sub>	161.0	"

ND: Nominal dimension LU: Limit of use

257A

# カウンターウェイト Counterweight

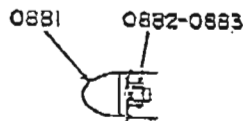
OK nothing missing



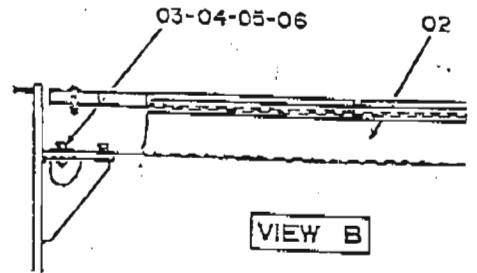
DETAIL E



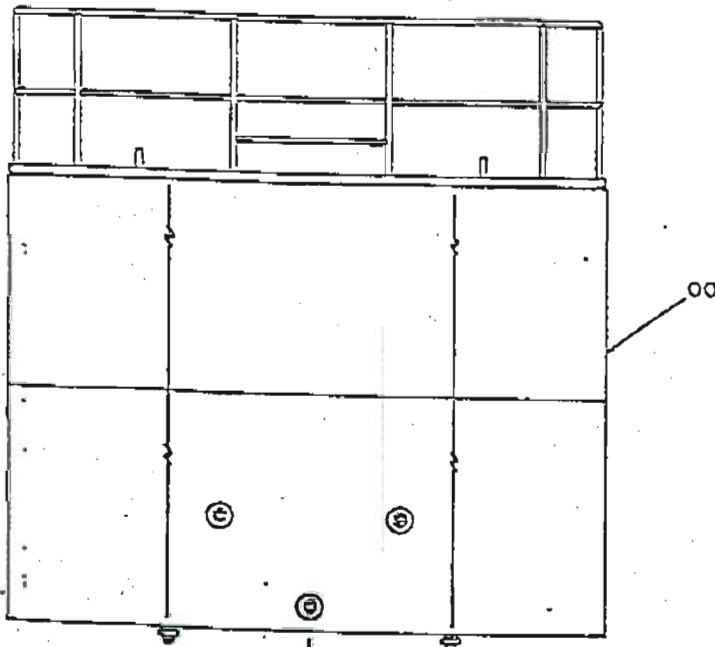
SECTION C



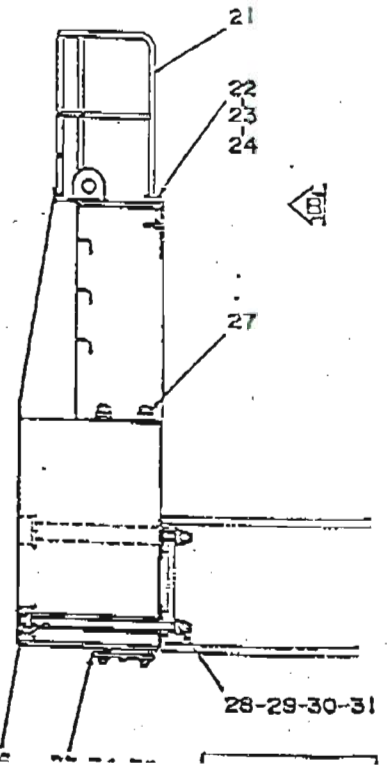
SECTION D



VIEW B



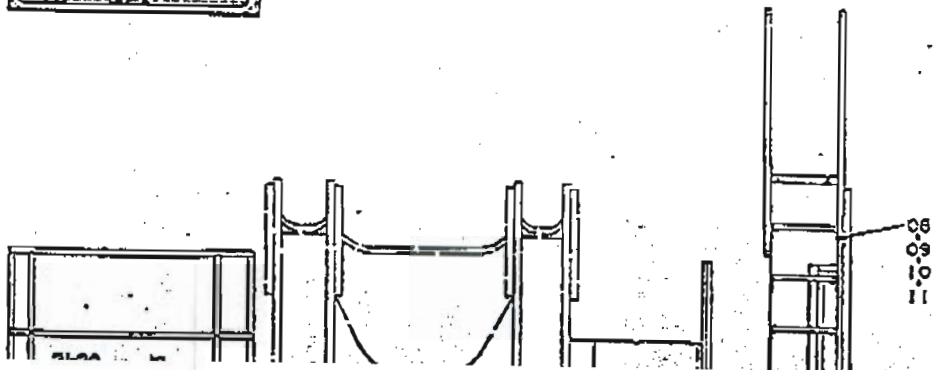
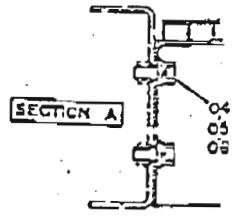
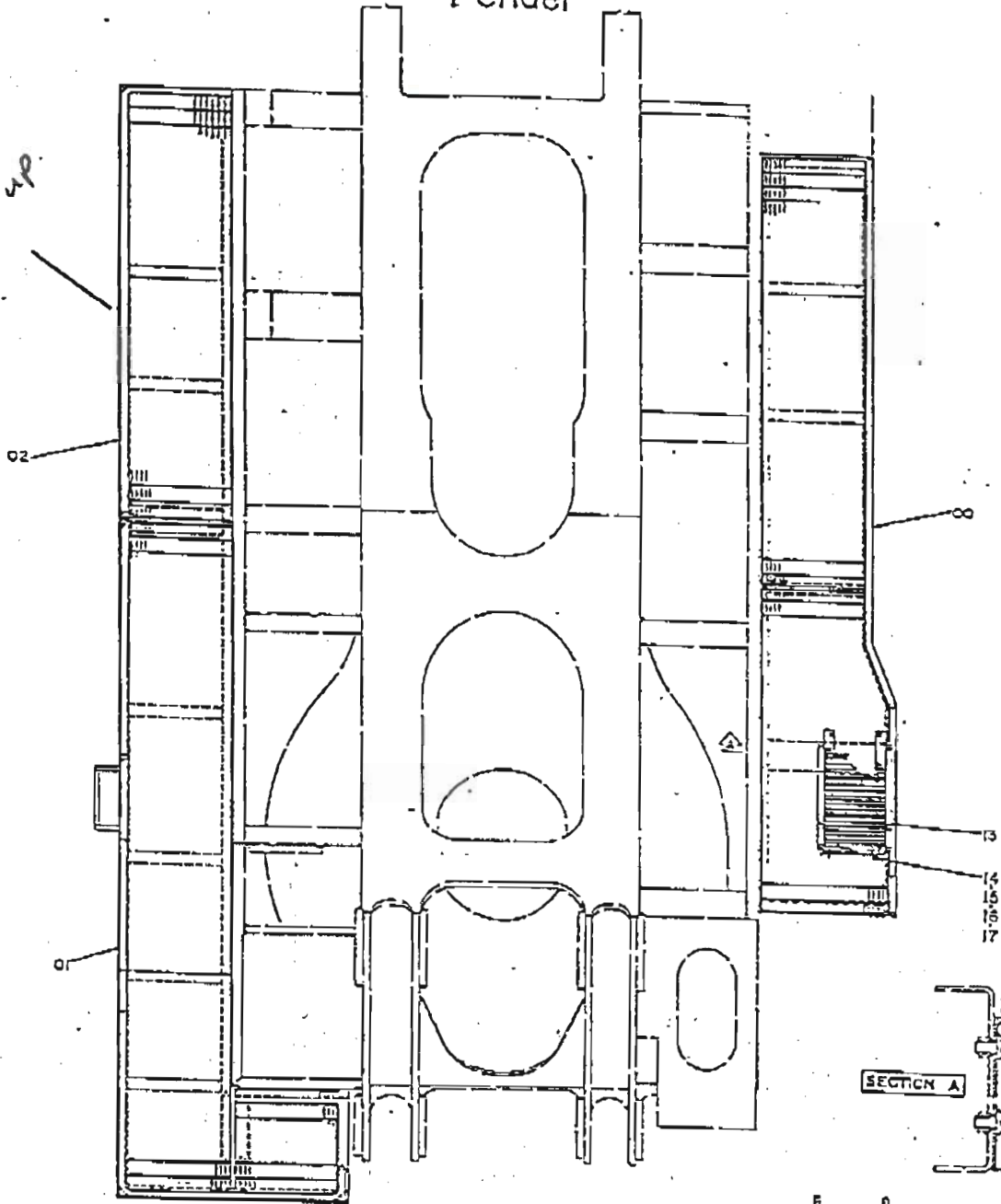
A



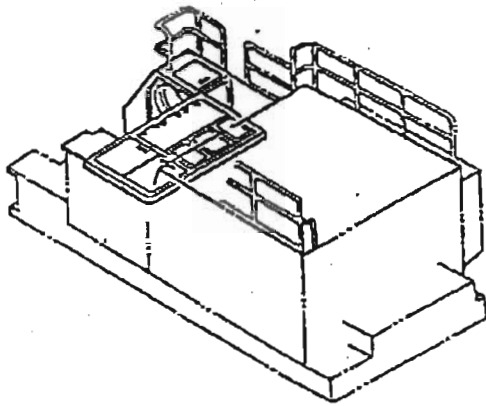
B

フェンダ  
Fender

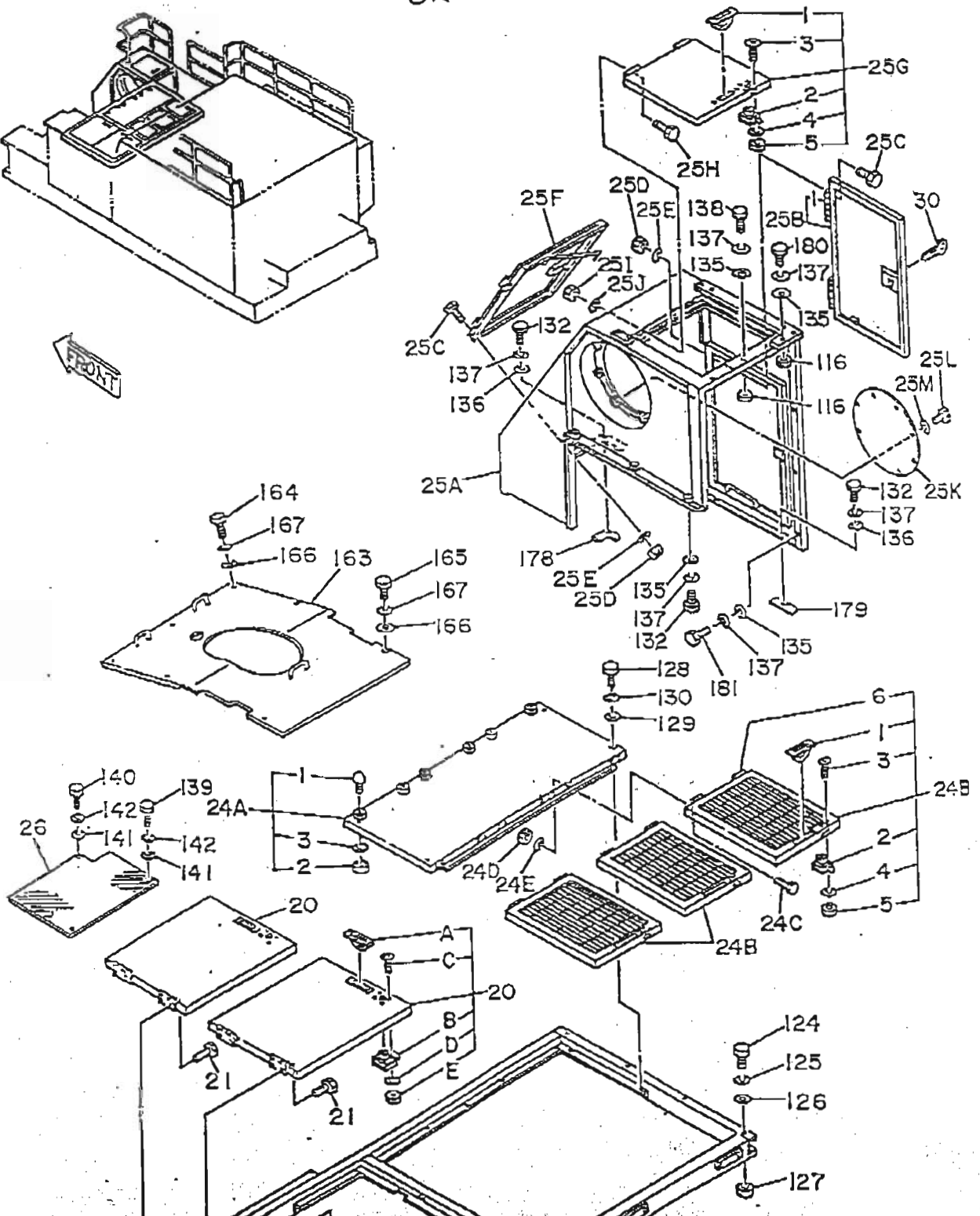
Bent up.



カバー (4)  
Cover (4)  
OK

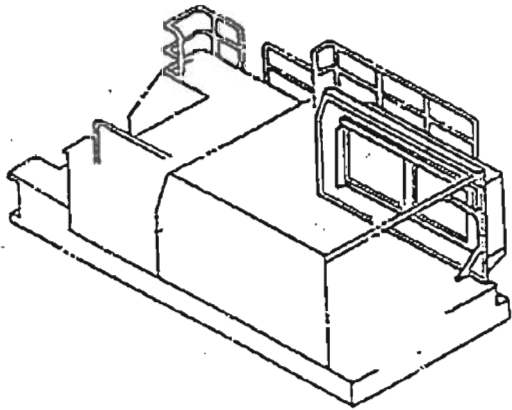


FRONT

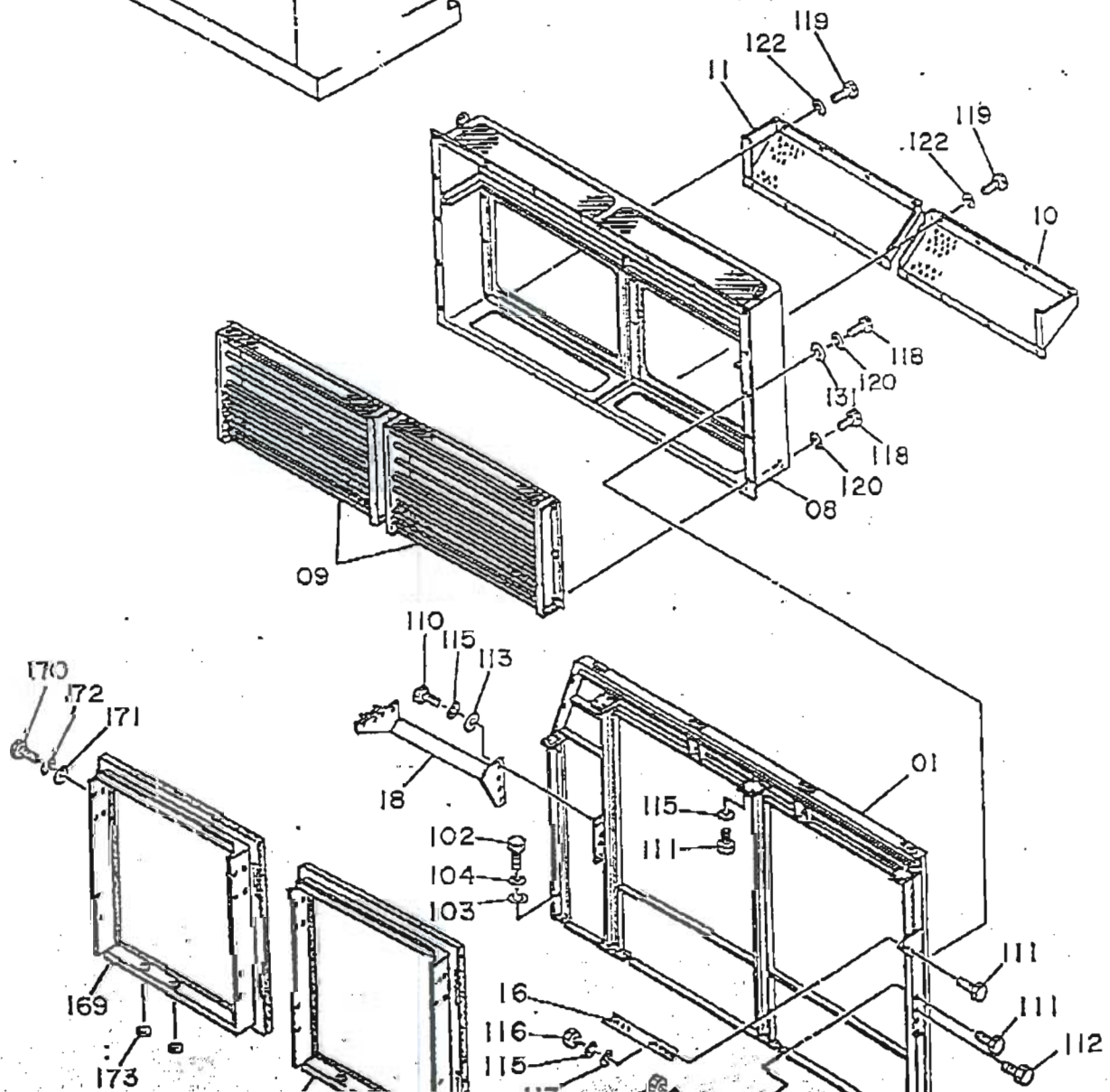


カバー (2)  
Cover (2)

OK

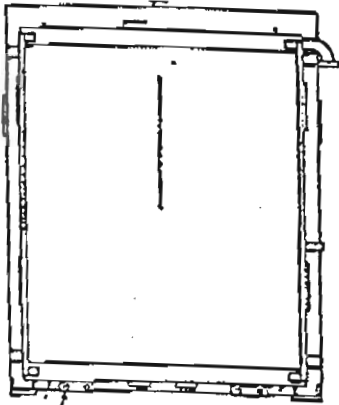


FRONT





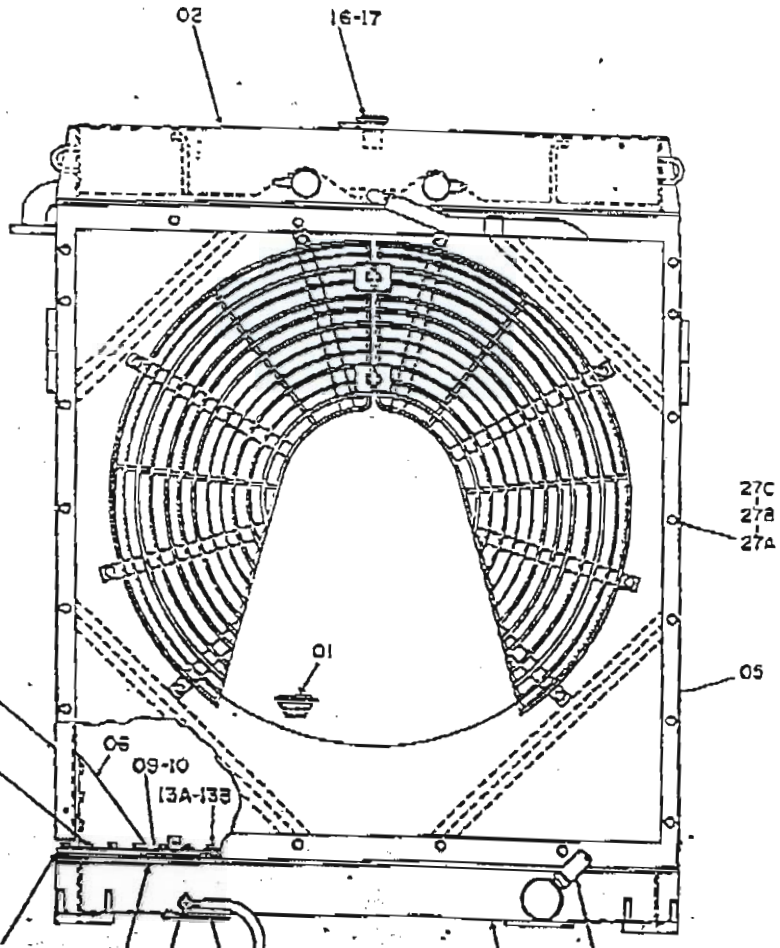
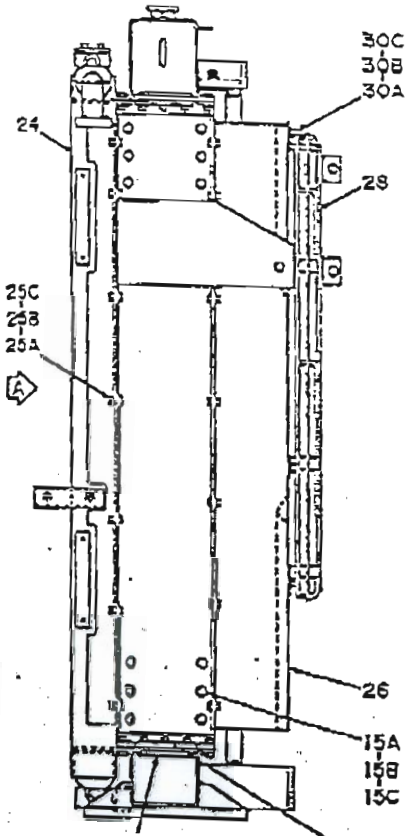
# ラジエータ Radiator



31-32-33-34

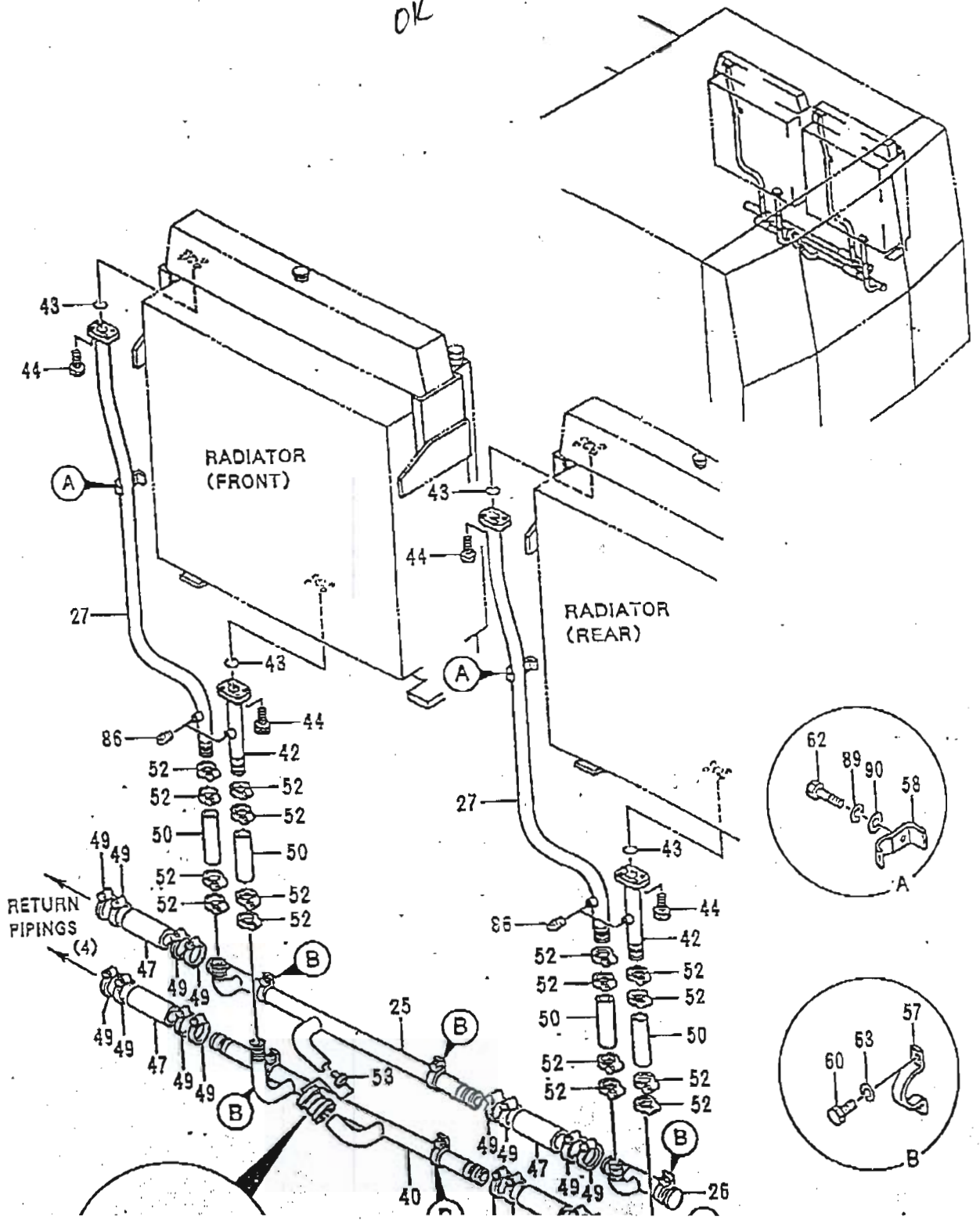
VIEW A

Left Front OK  
Right Rear OK



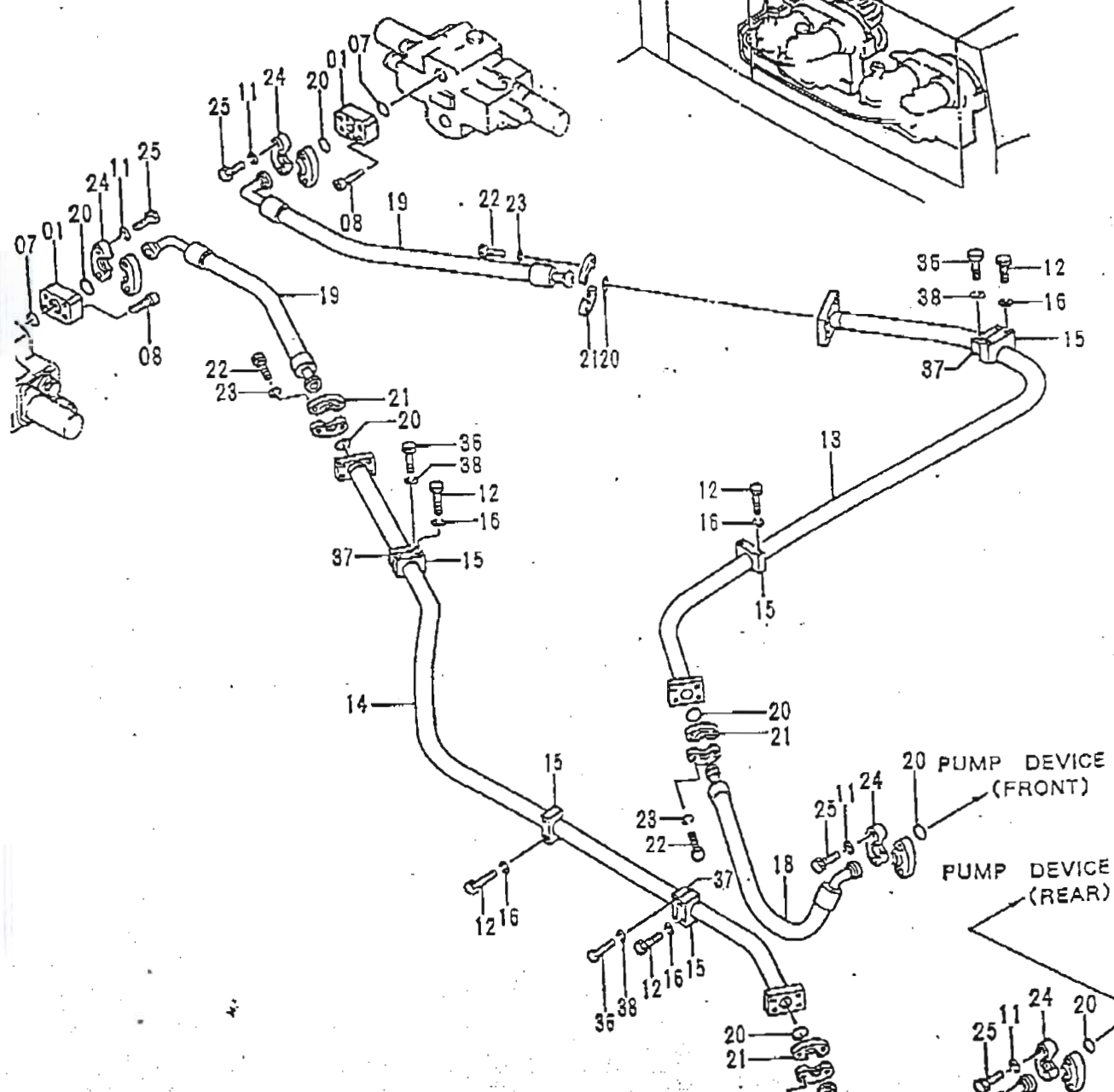
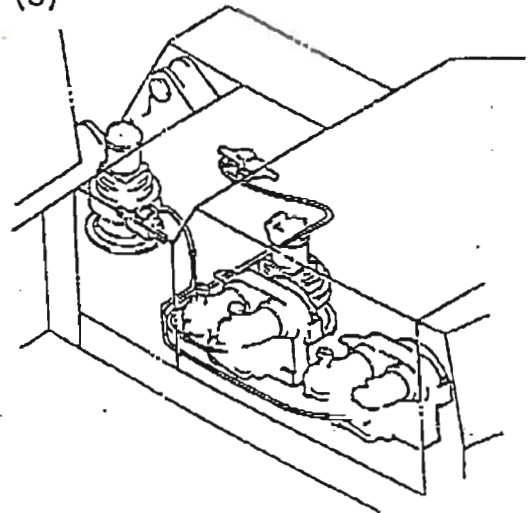
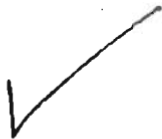
# リターン配管 (3) Return Pipings (3)

OK



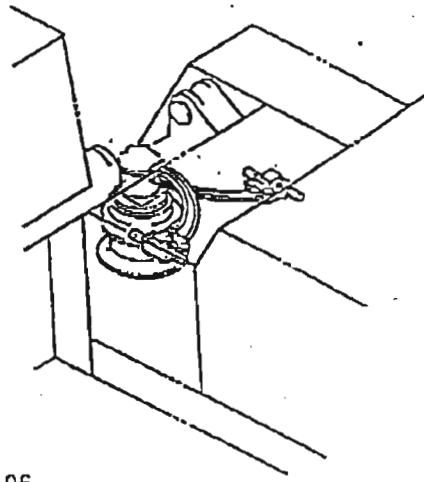
# 旋回配管(3) Swing Pipings (3)

OK

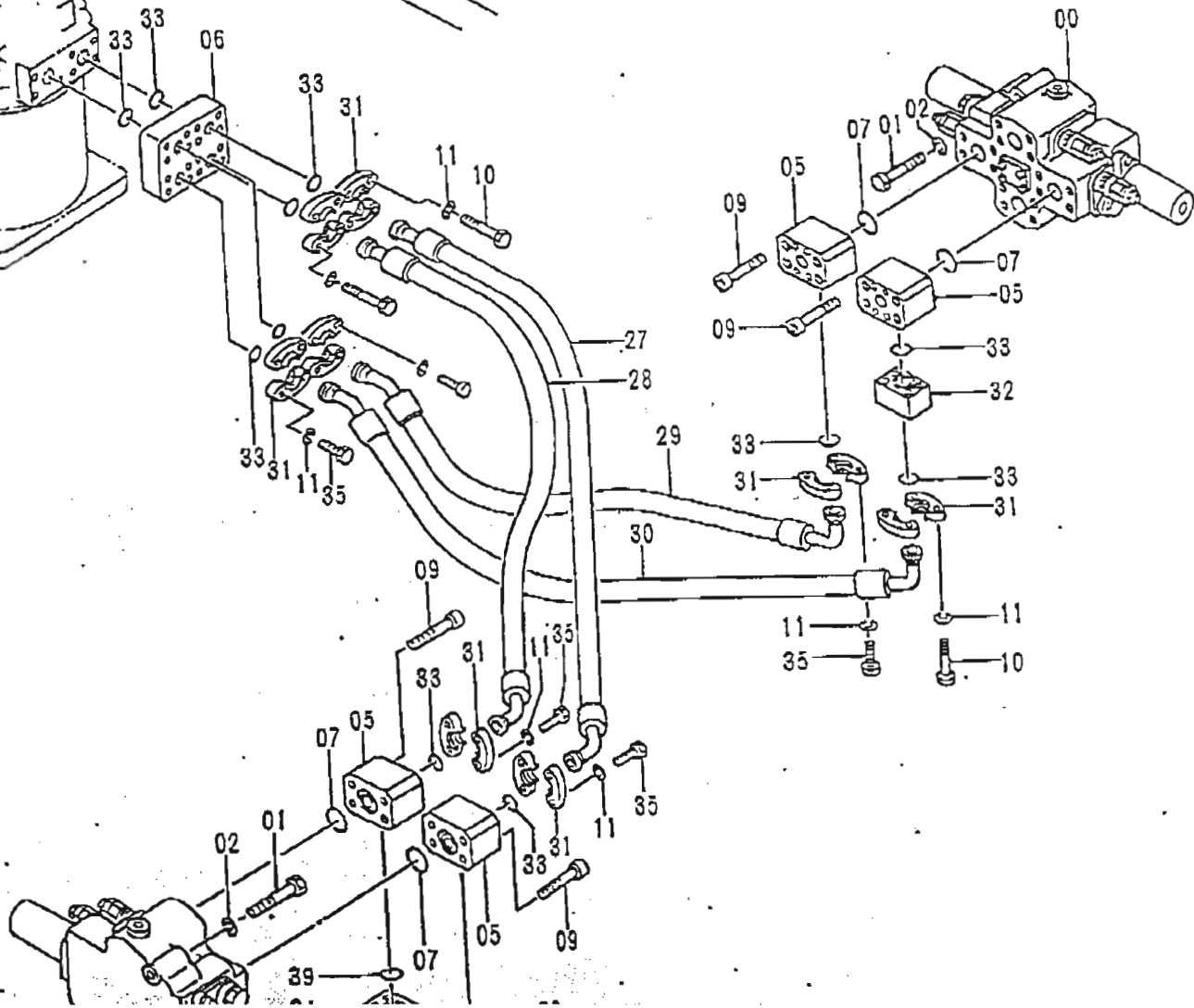
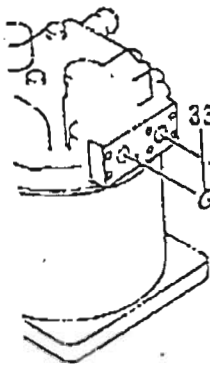


# 旋回配管 (1) Swing Pipings (1)

OK

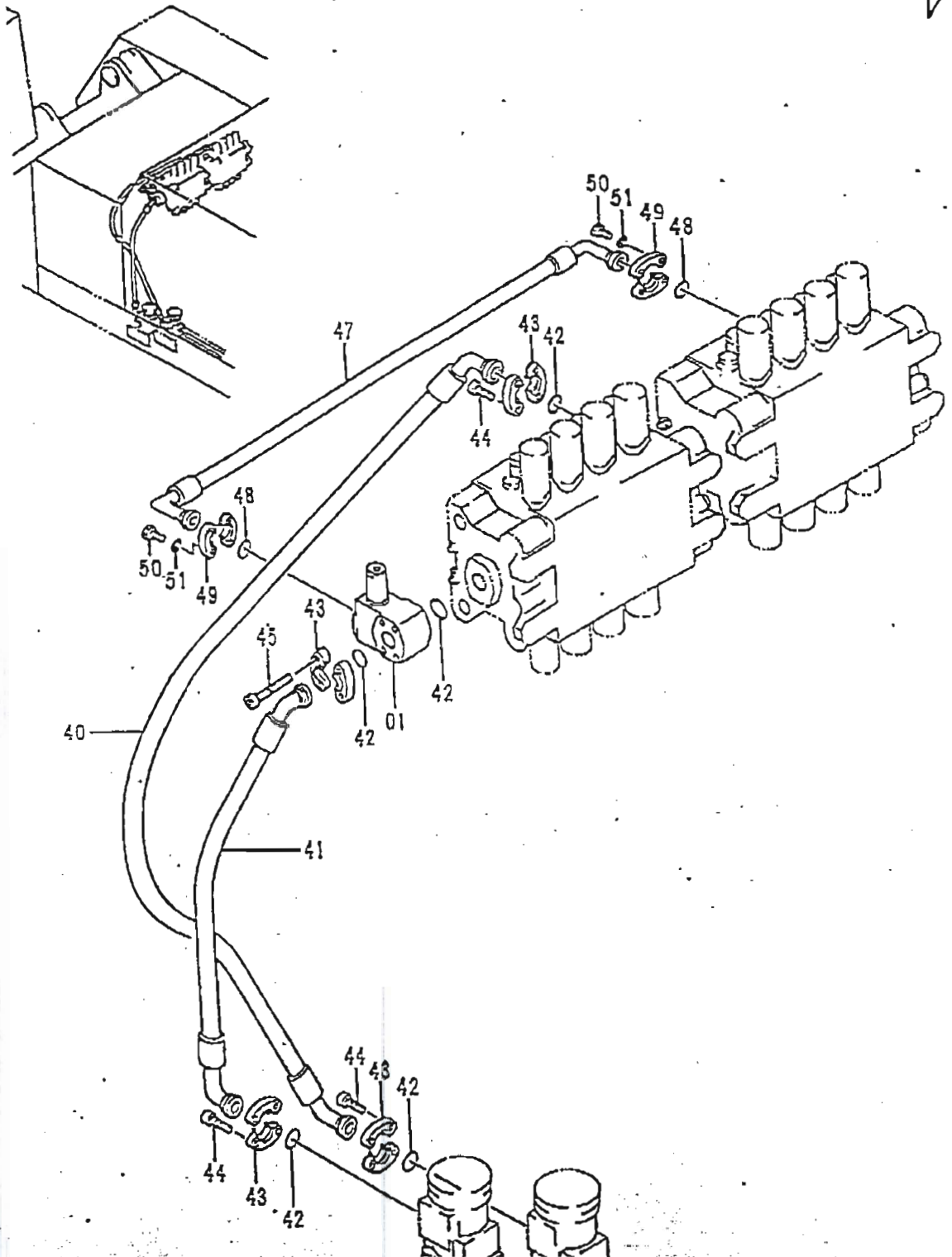


SWING DEVICE  
(FRONT)



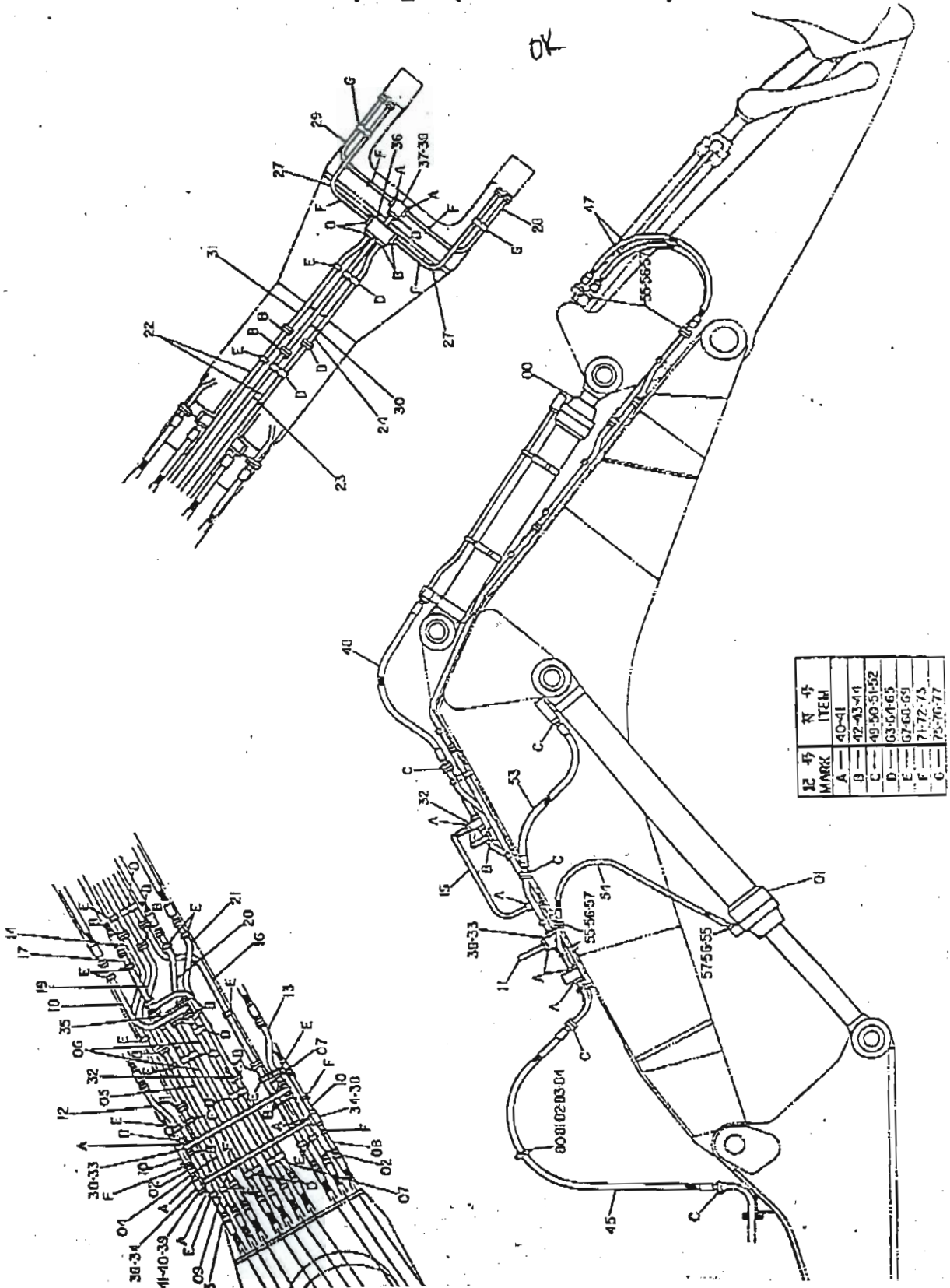
本体配管 (1-4)  
Main Pipings (1-4)

OK



339A

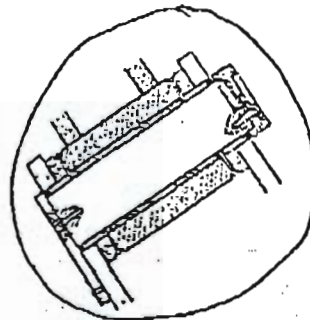
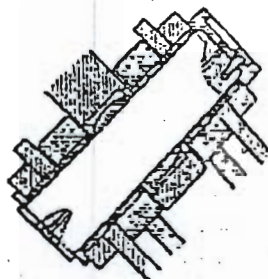
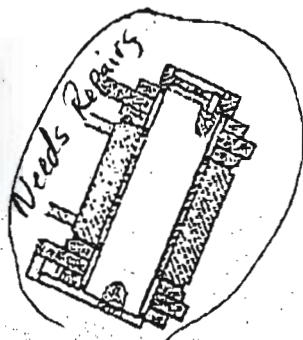
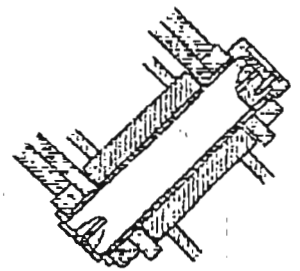
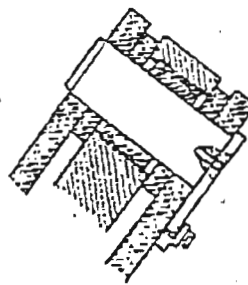
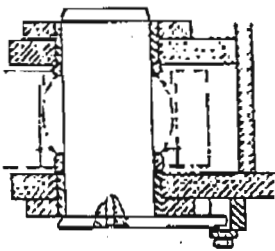
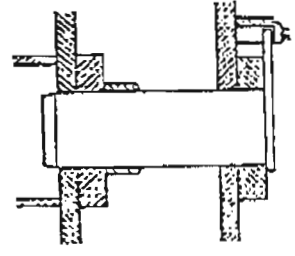
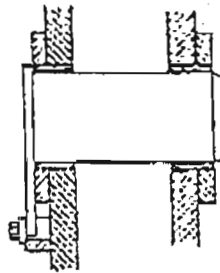
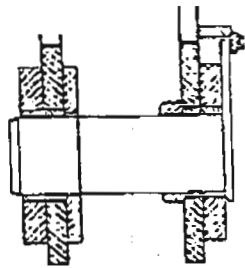
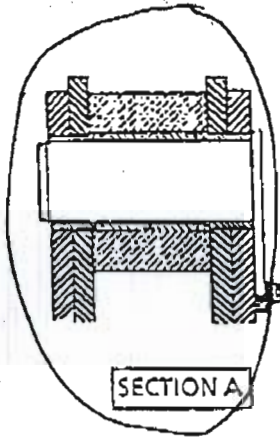
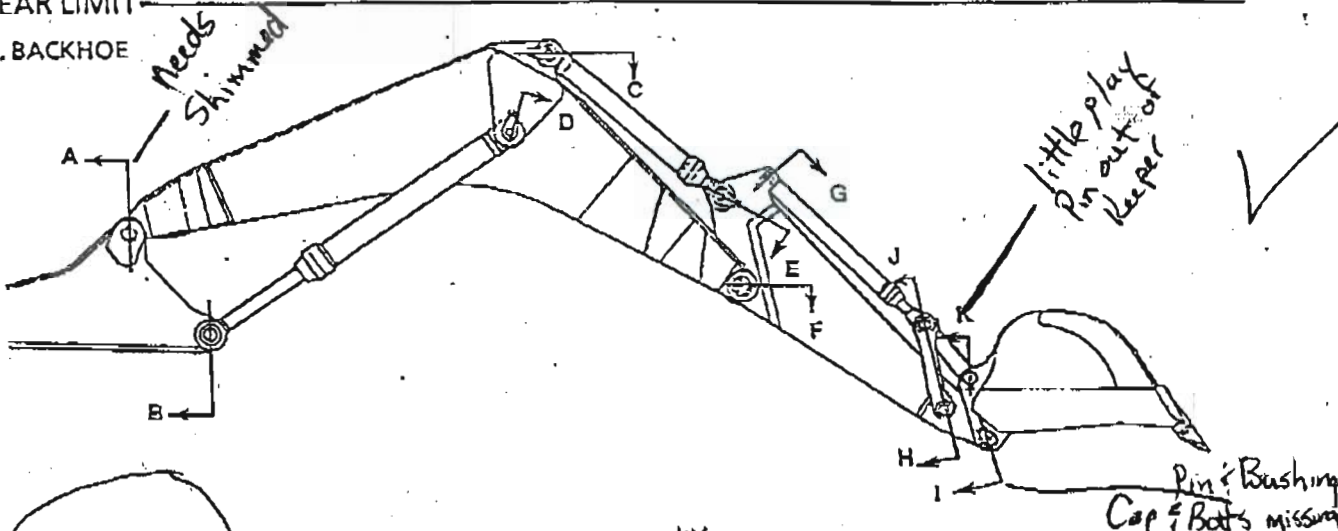
フロント配管 (ショートブーム)  
Front Pipings (Short Boom)



記号 MARK	品号 ITEM
A	40-41
B	42-43-44
C	49-50-51-52
D	63-64-65
E	67-68-69
F	71-72-73
G	75-76-77

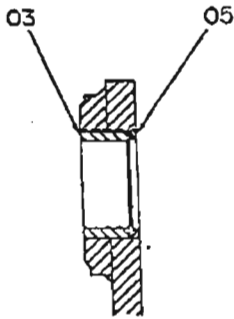
PIN AND BUSHING

YEAR LIMIT  
1. BACKHOE

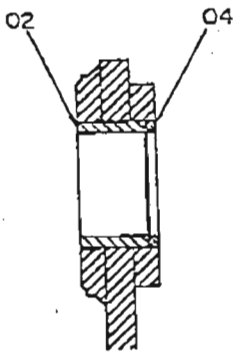


バケツト 8.4  
Bucket 8.4

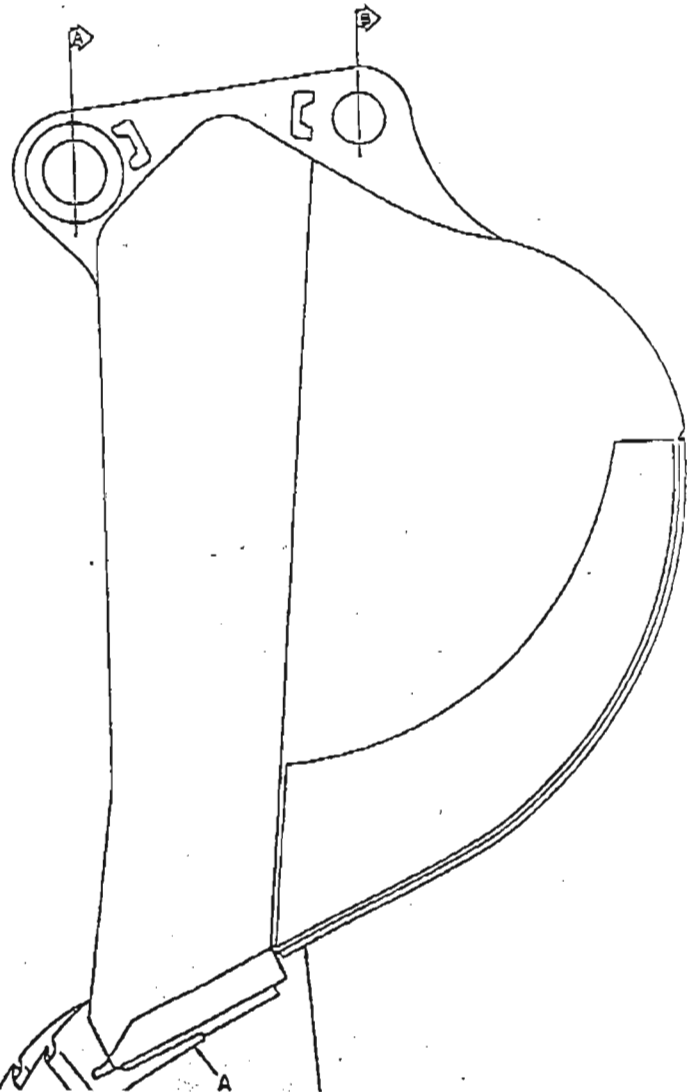
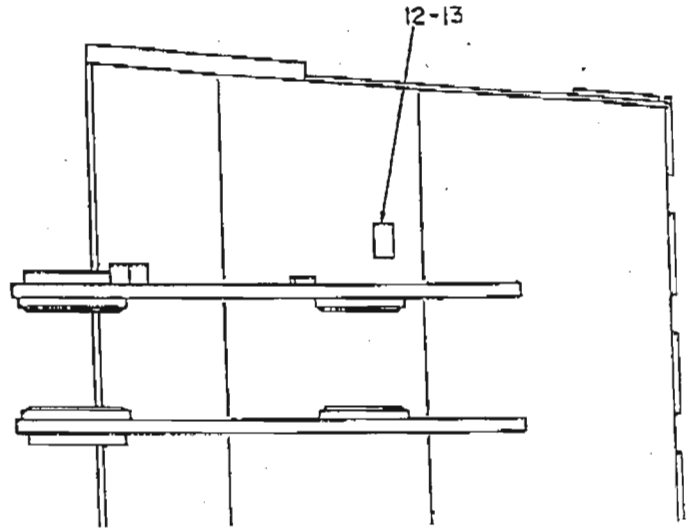
*Needs teeth  
85% worn*



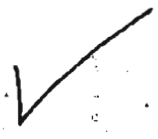
SECTION B



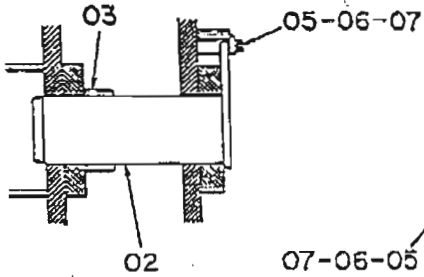
SECTION A



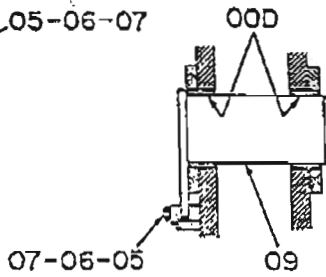
# ショートブーム 8.7M Short Boom 8.7M



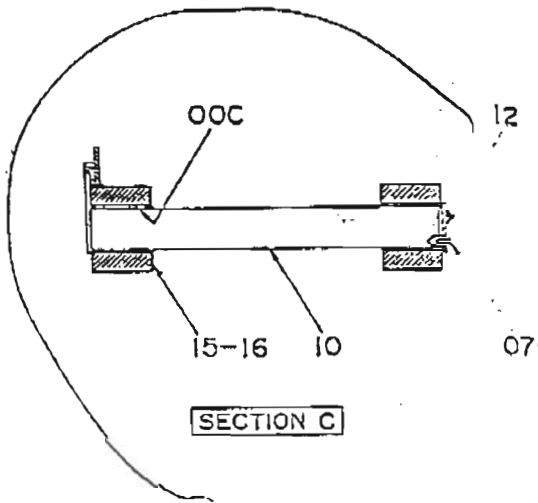
*Worm*



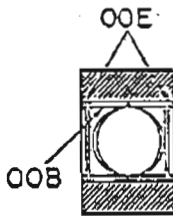
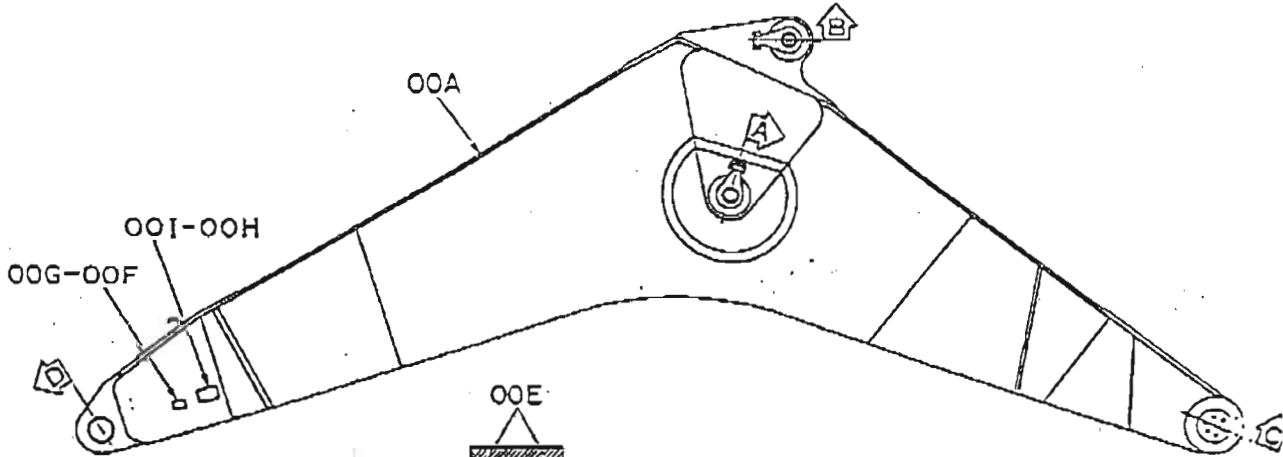
SECTION A



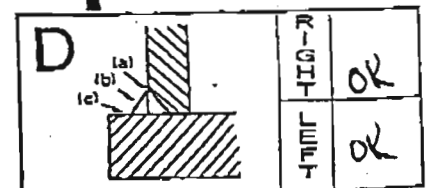
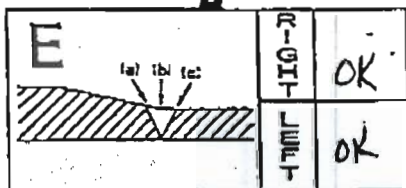
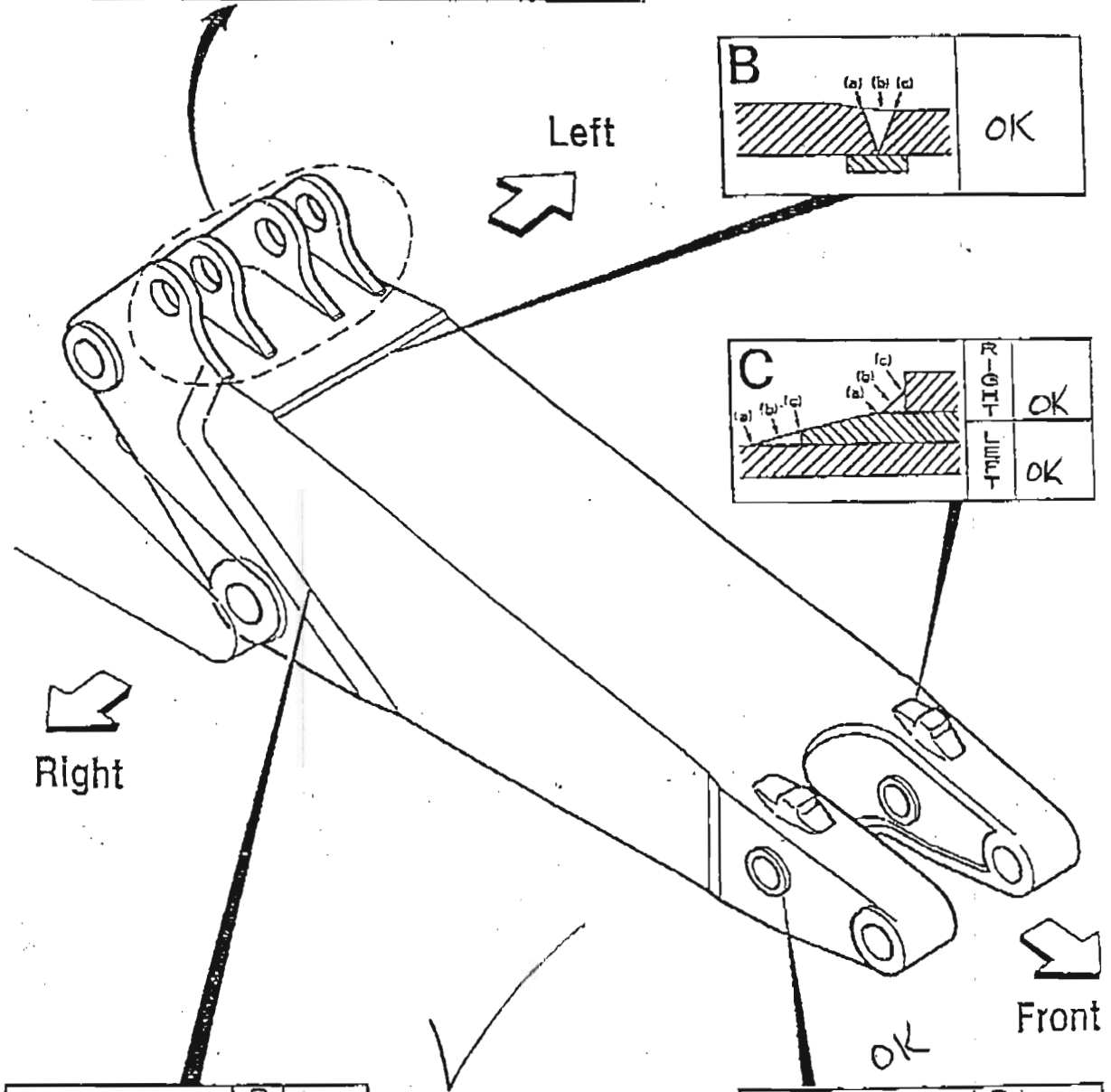
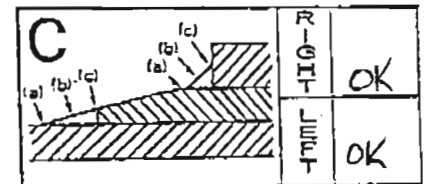
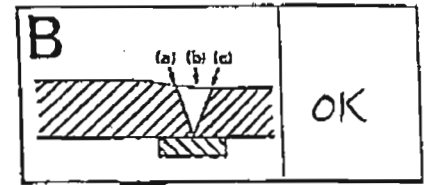
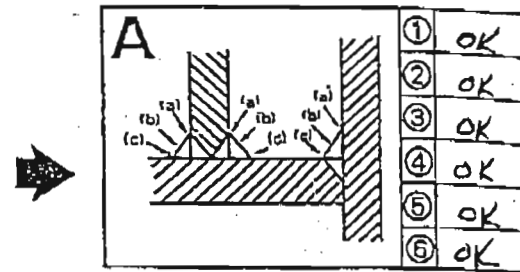
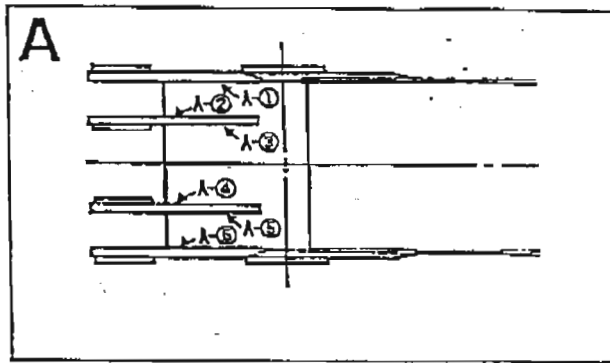
SECTION B



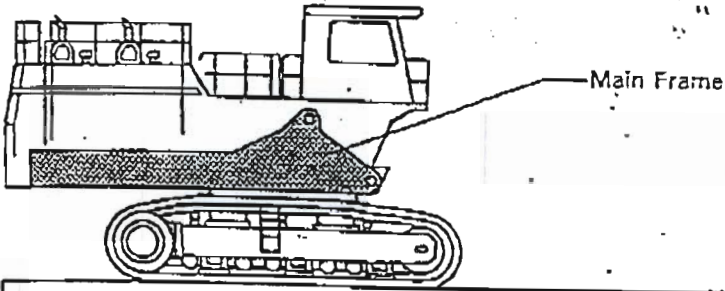
SECTION C



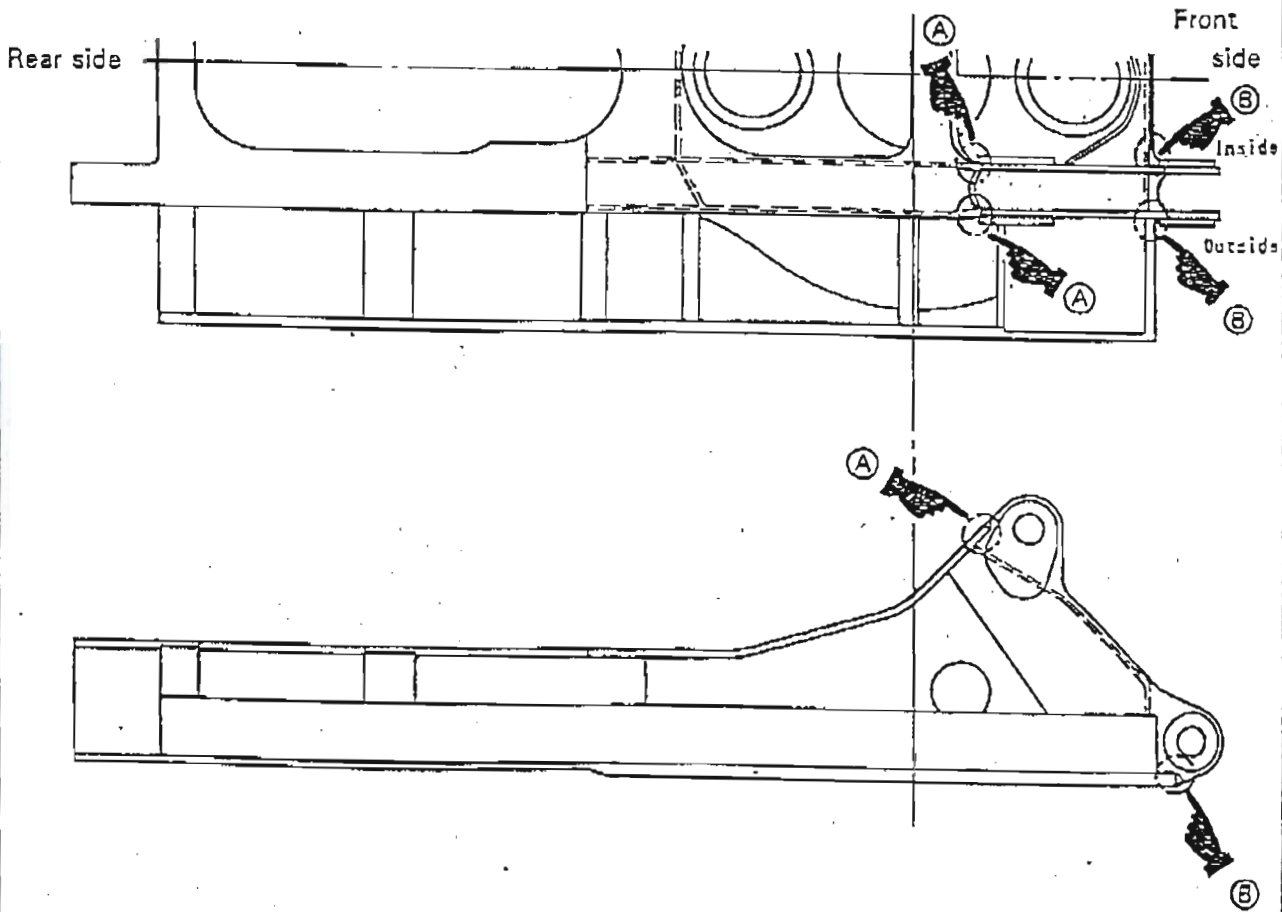
SECTION D

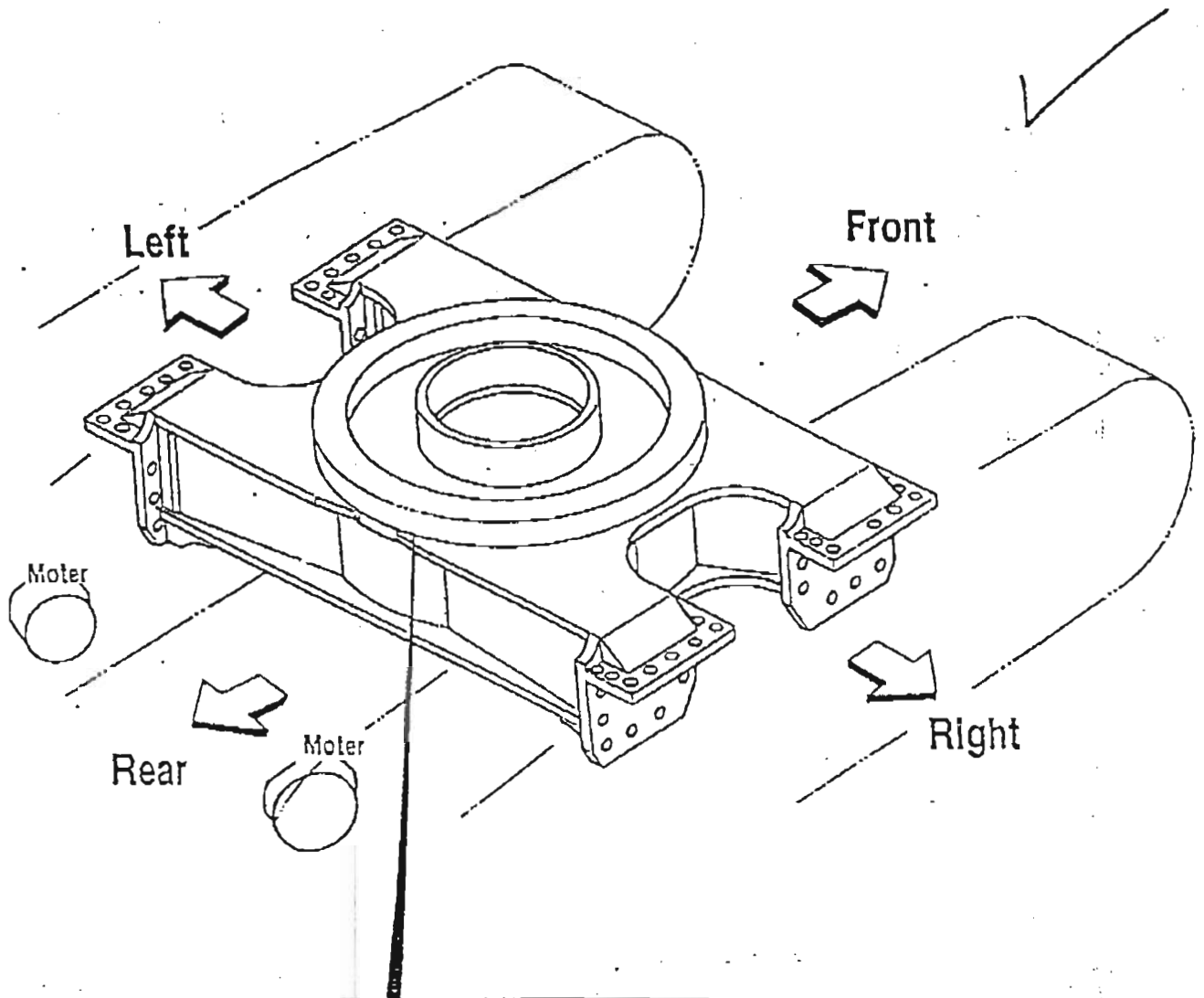


Main Frame 1/1



OK





A		Front	OK
		Rear	OK
		Front	OK
		Rear	OK

Round frame all welded area

# SWING BEARING

## 2. SWING BEARING (CLEARANCE) TEST

Item	Specification
A	Standard Less than 2.0 mm Limit of Use: More than 8mm (0.315)

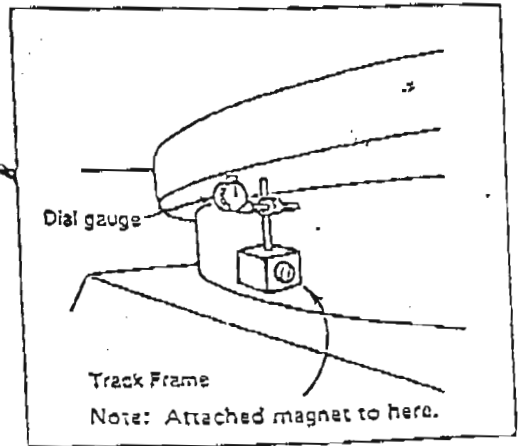
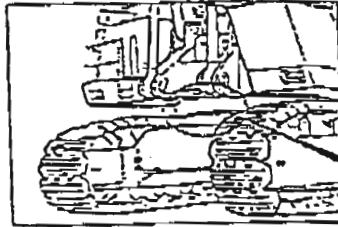


D  
C                  B  
A

Measurement Point A.

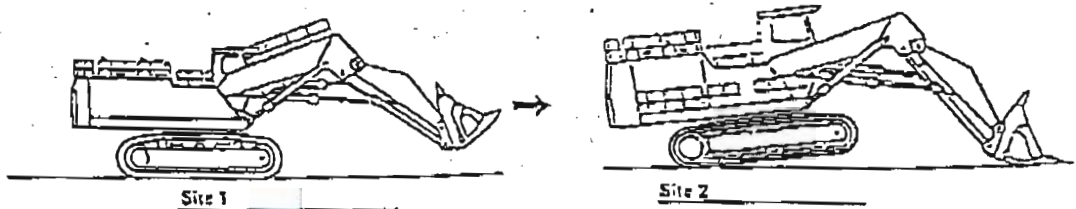
Maximum is .315  
Grannas EX-1800 @  
.110-.120

- A .110
- B .120
- C .110
- D .120

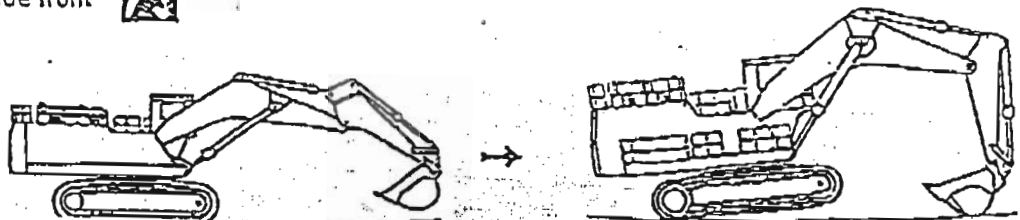


- Inspection: 1) Set the dial gauge to measurement point A  
2) Adjust the "0" (Site 1 Site 1)  
3) Measurement the gap (Site 2, Site 2)

Loader front



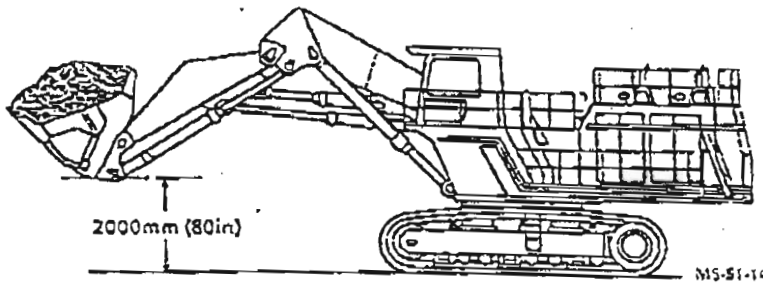
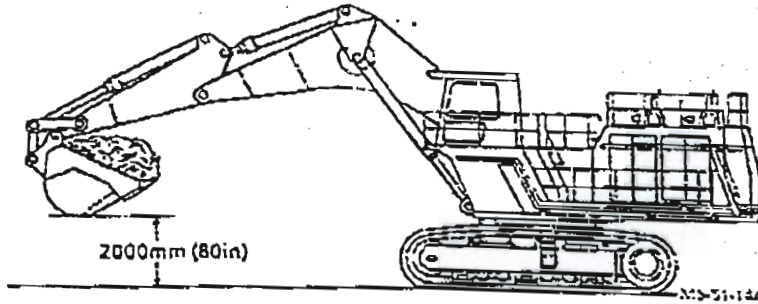
Backhoe front



# MAINTENANCE STANDARDS

## 1.8 AMOUNT OF HYDRAULIC CYLINDER CREEP

### Preparation



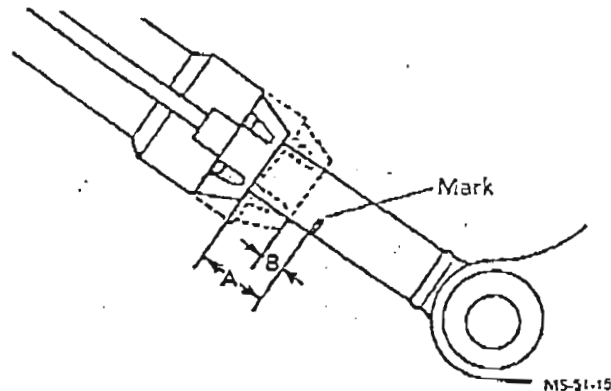
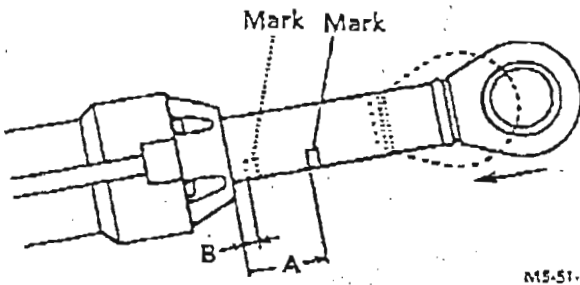
- 1) With a full load in bucket, set front-end attachment as shown above.

Full load = Bucket Capacity (Heaped) × 1.5 (Specific Gravity)  
 Buckhoe ... 8.4 m<sup>3</sup> Bucket, 5 m Arm, 8.7 m Boom  
 Loading shovel ... 10.3 m<sup>3</sup> Bucket

\* Cylinder creeping will be larger with wear-plate-attached bucket.

### Measurement

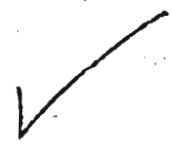
- 1) Stop engines.
- 2) Measure amount of creep for 5 minutes.



### Determination

Unit: mm (in)/5 min

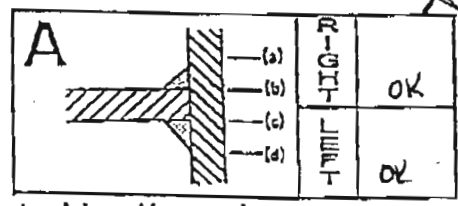
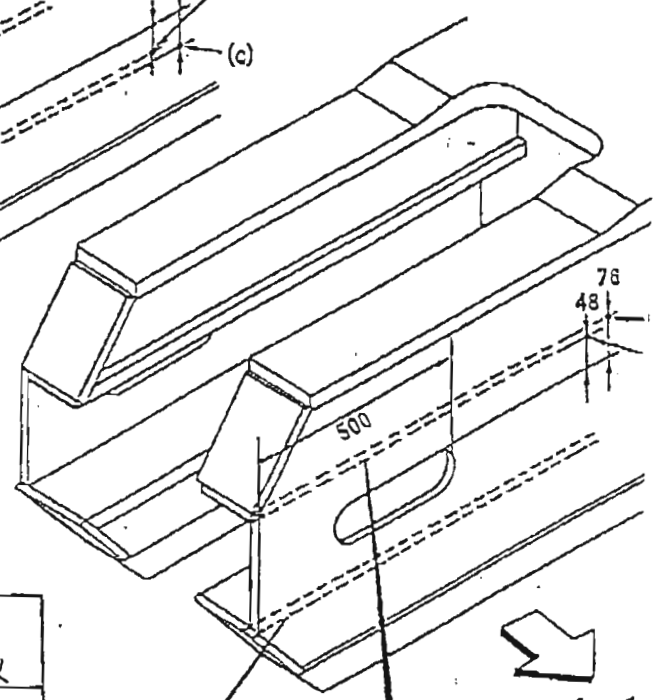
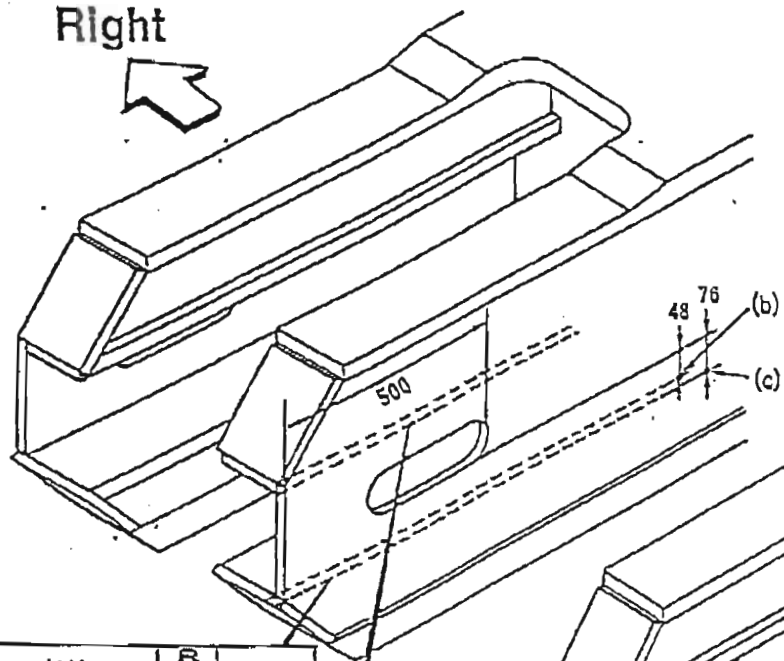
Item	Backhoe	Loader	Actual
BOOM CYLINDER	Less than 40(1.6)	Less than 40(1.6)	OK
ARM	Less than 50(2.0)	Less than 30(1.2)	OK
BUCKET	Less than 20(0.8)	Less than 20(0.8)	OK



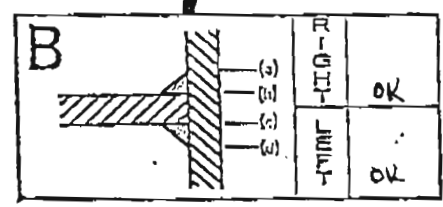
Right



Rear



Inside (Lower)

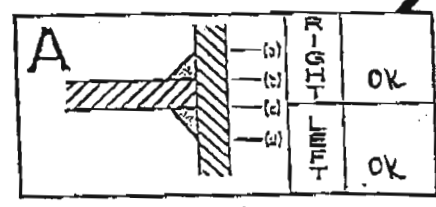


Inside (Upper)

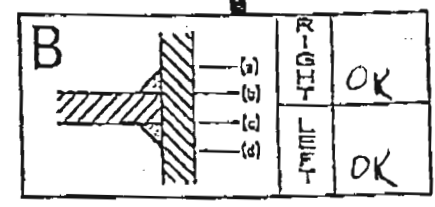
Front



Left

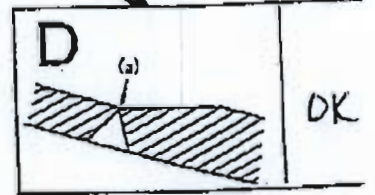
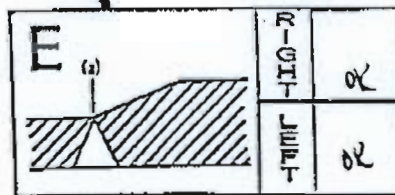
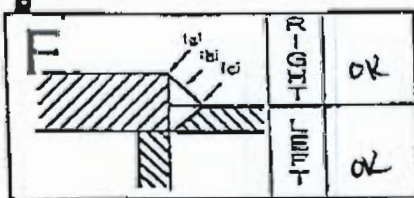
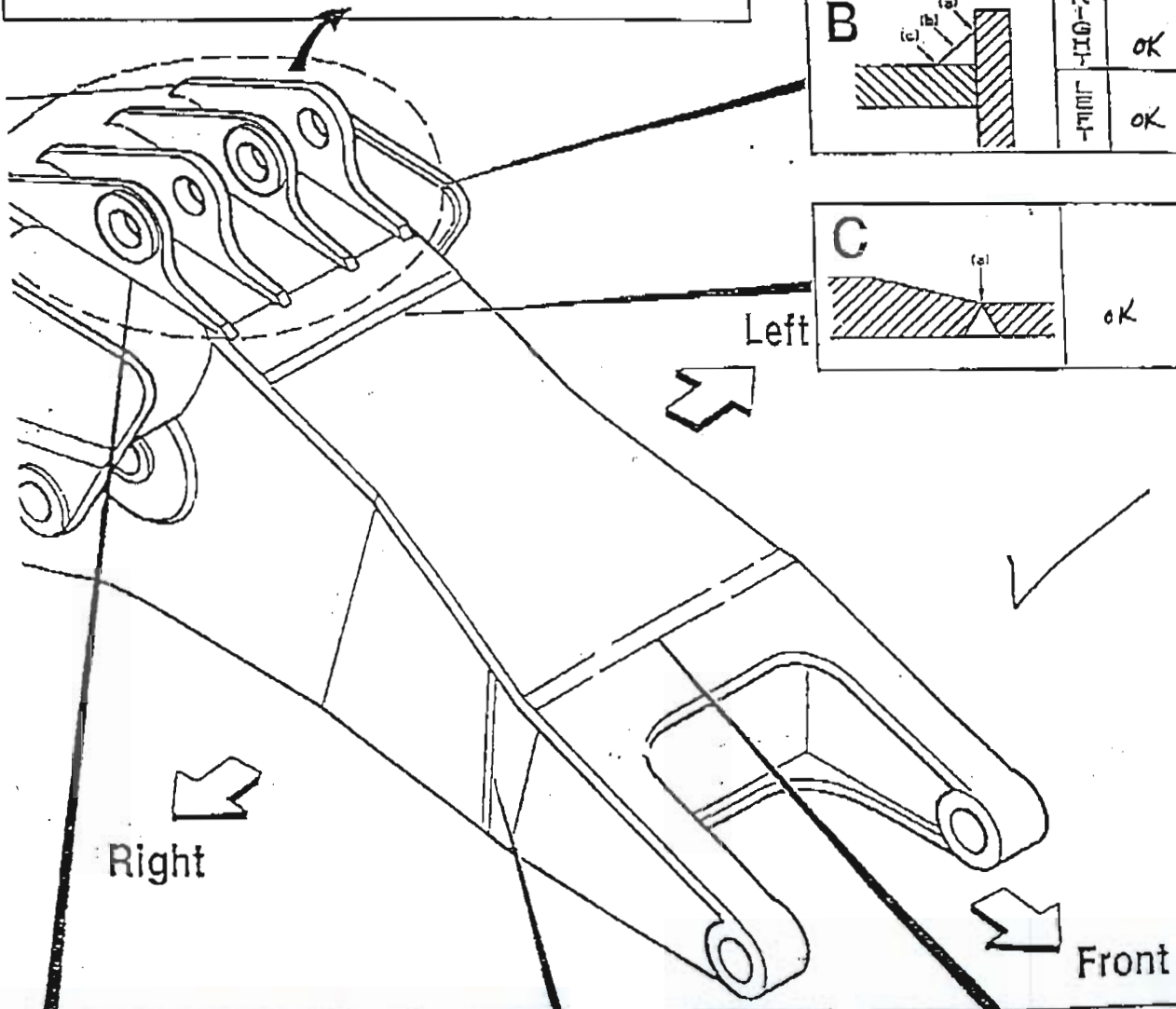
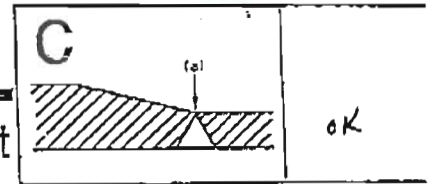
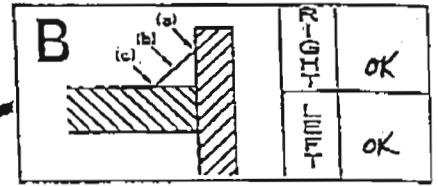
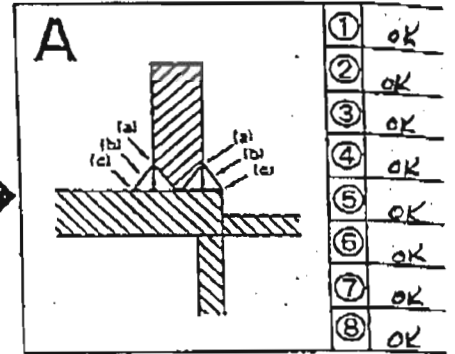
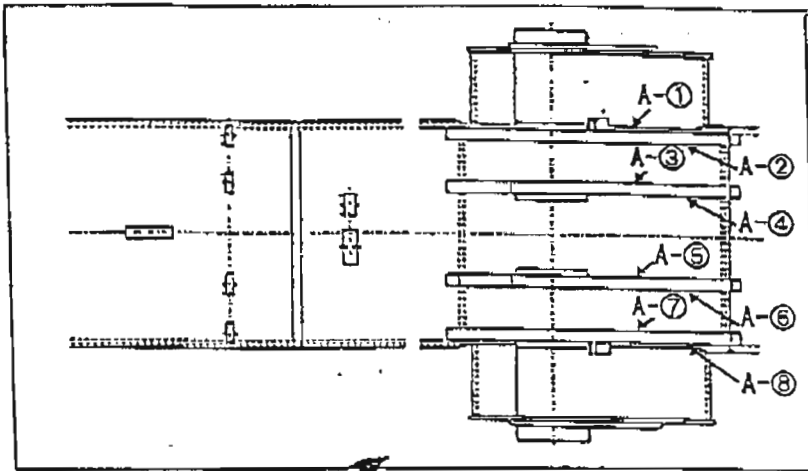


Outside (Lower)

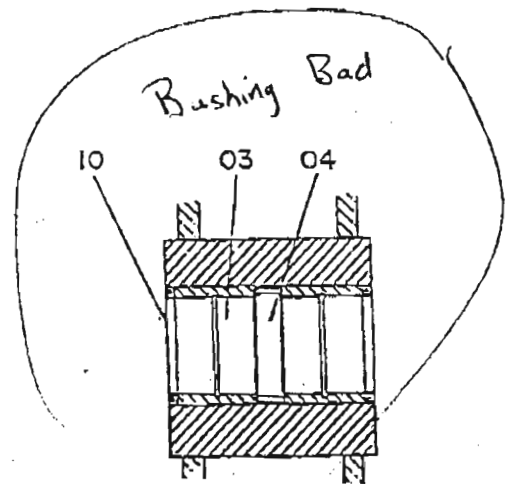
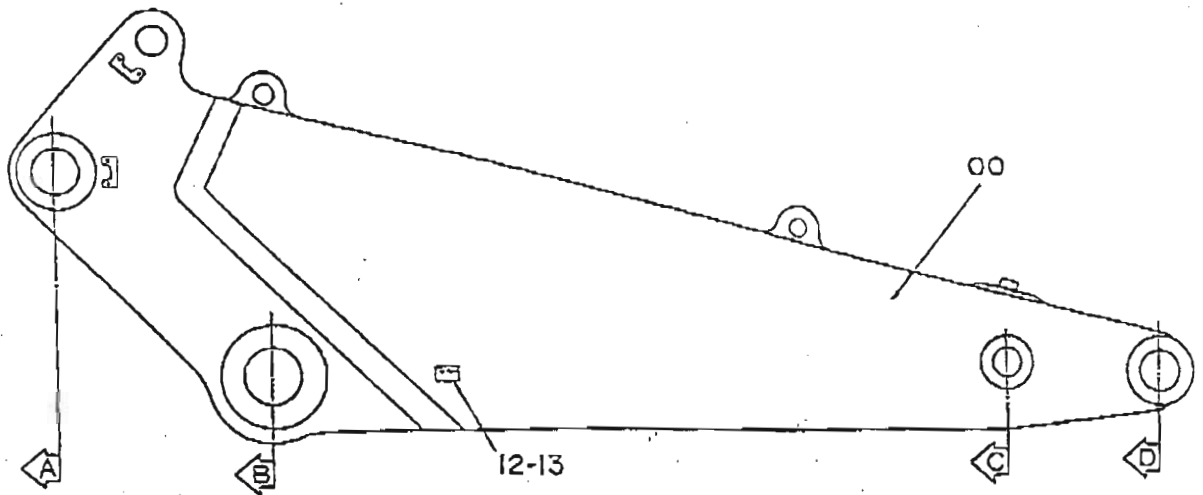
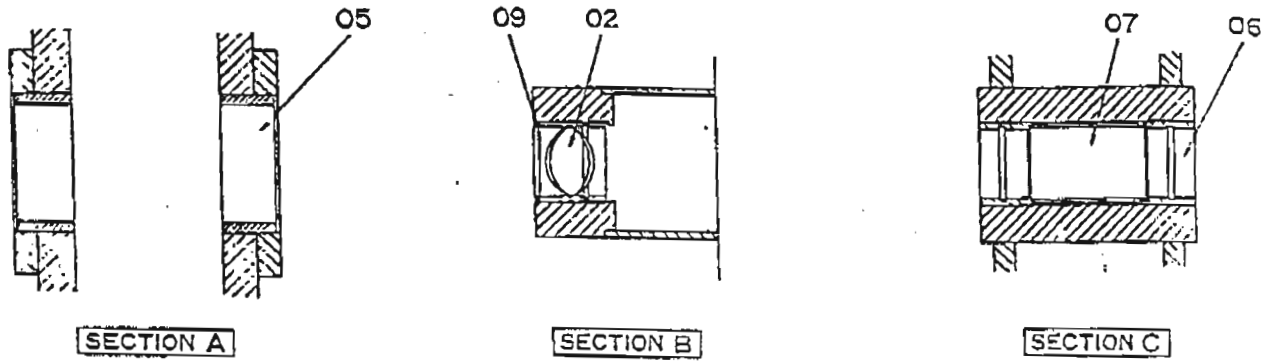
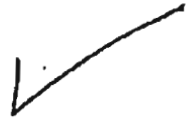


Outside (Upper)

Backhoe Boom 8.7m 2/2

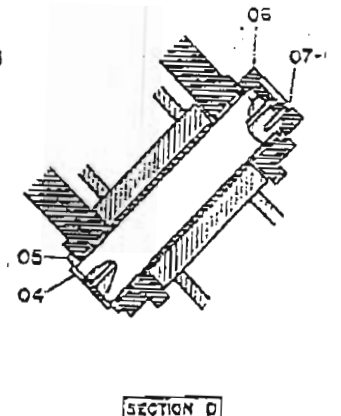
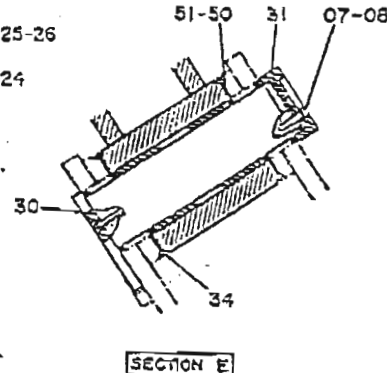
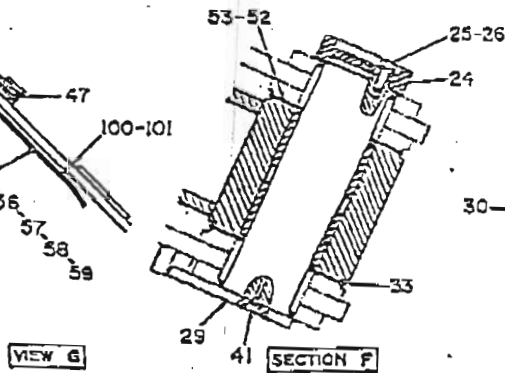
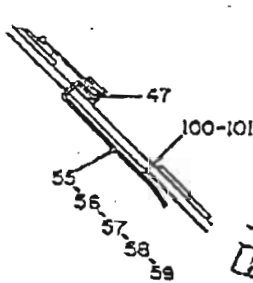
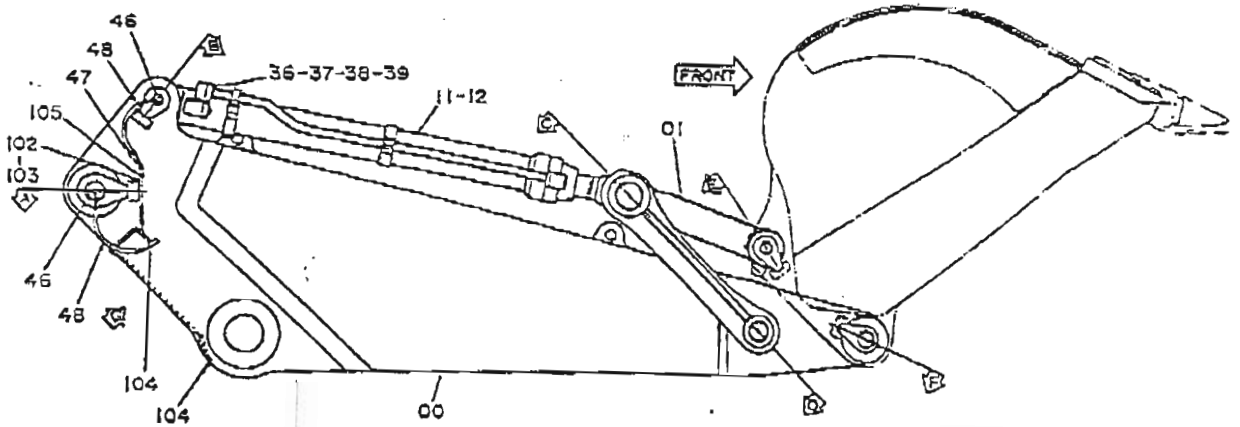
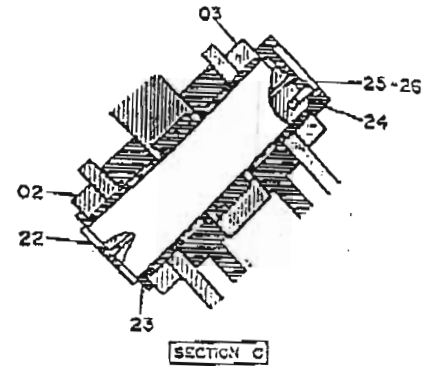
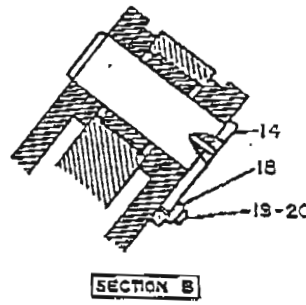
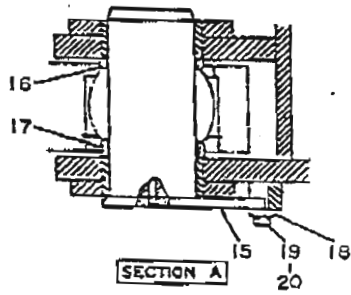


アーム 4.0M  
Arm 4.0M



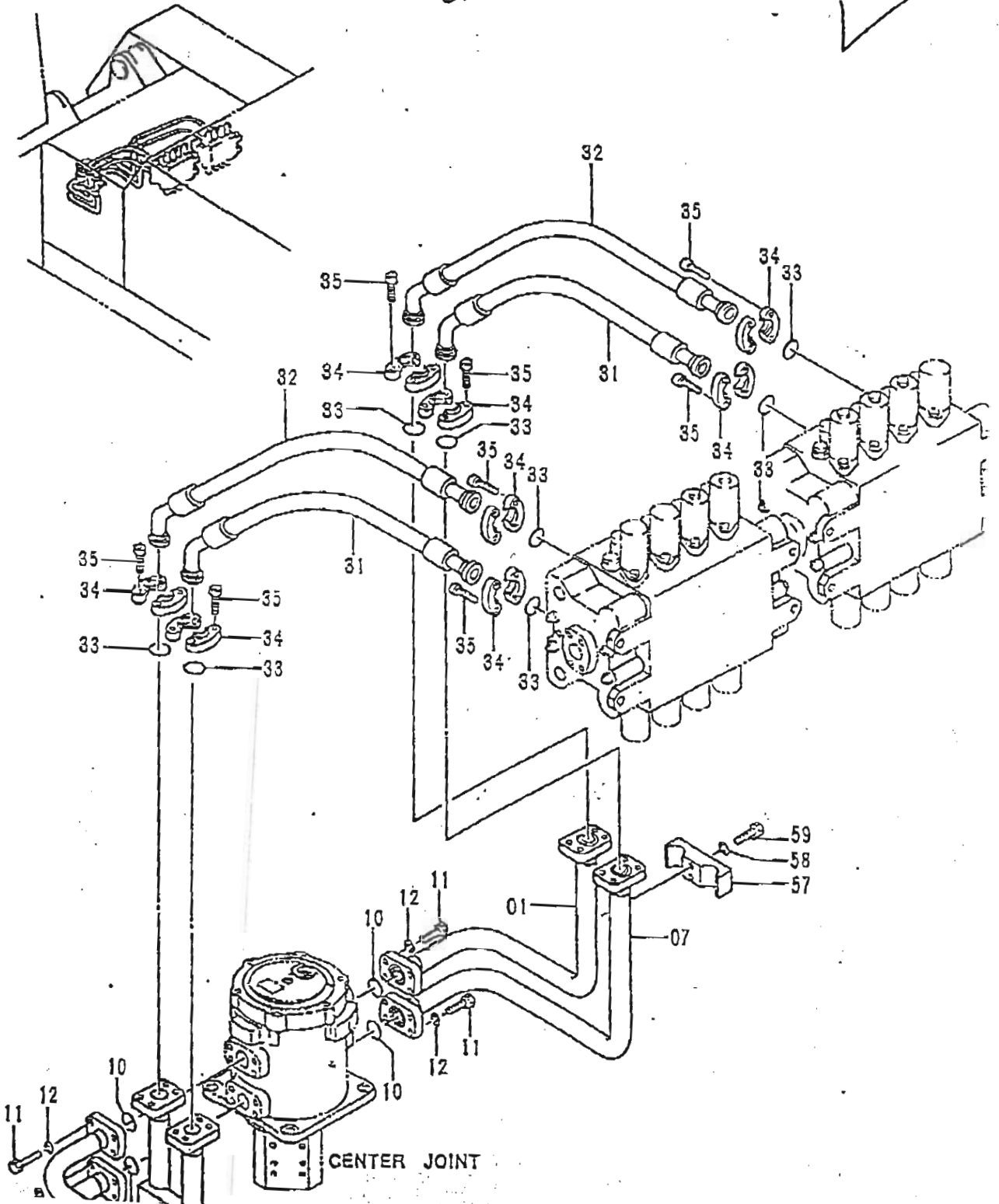
321A

# アーム 4.0Mアッセン Arm 4.0M Ass'y



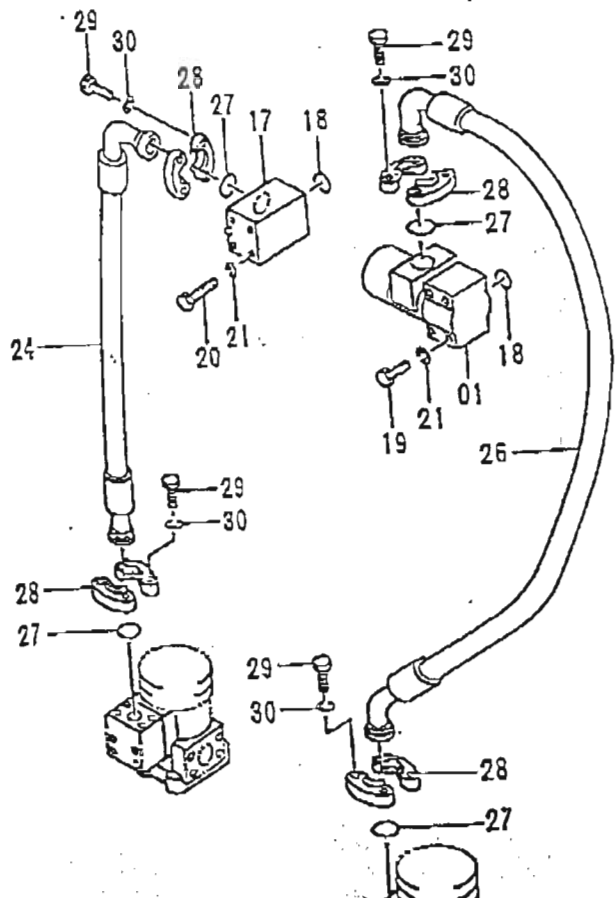
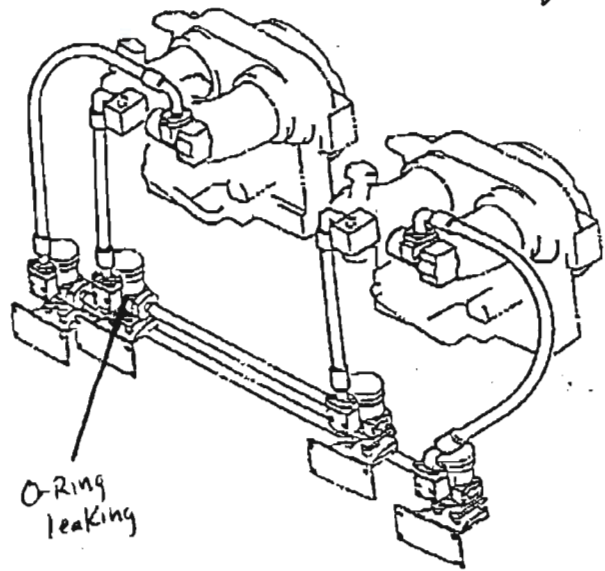
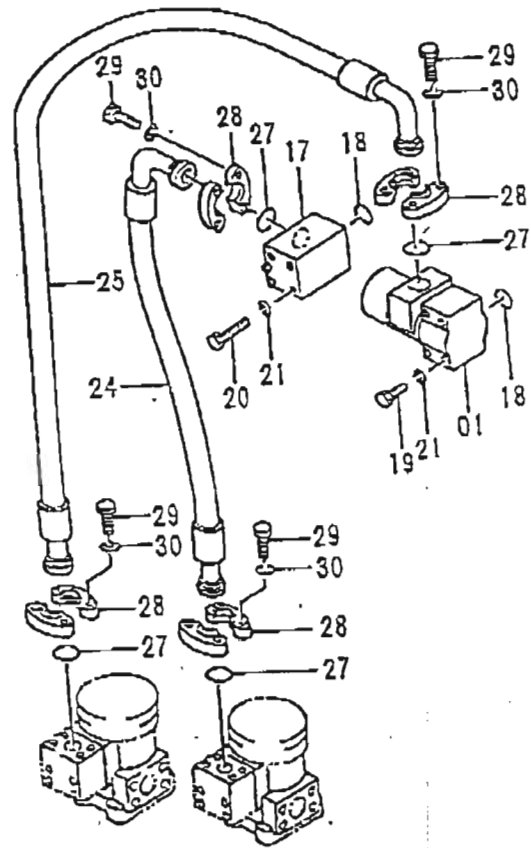
# 本体配管 (1-3) Main Pipings (1-3)

OK



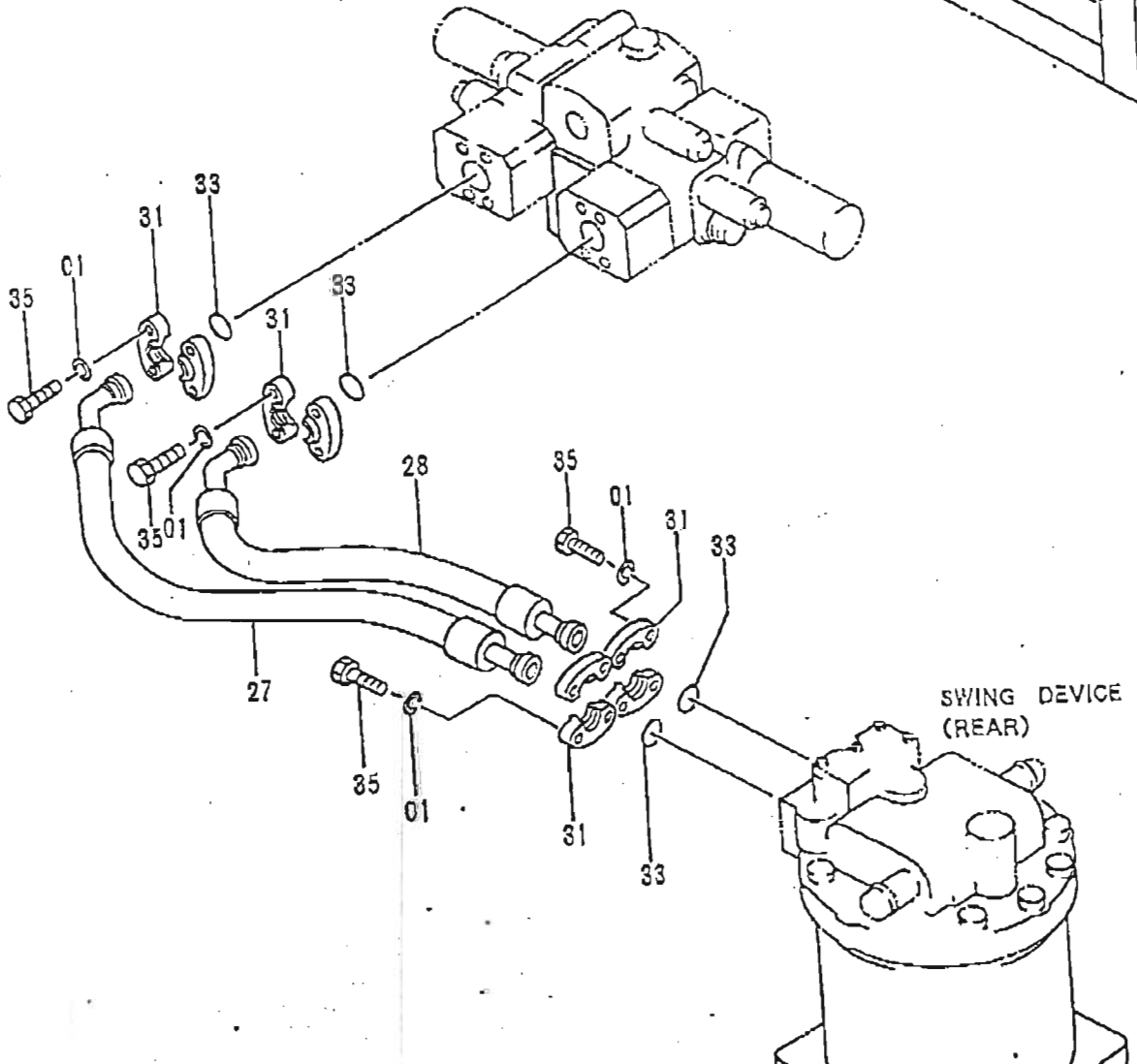
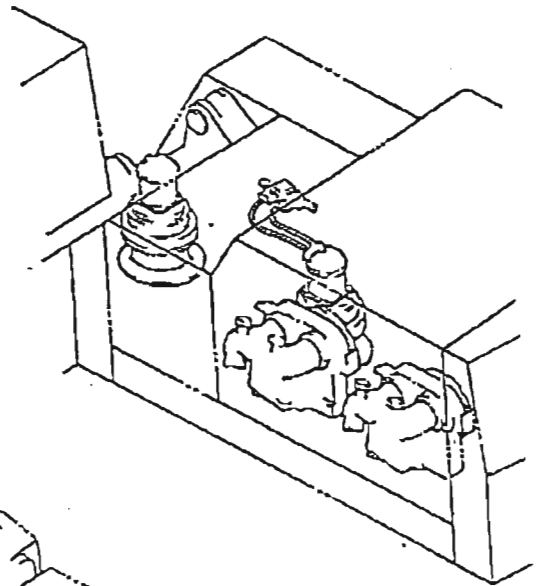
79

本体配管 (2-2)  
Main Pipings (2-2)



# 旋回配管 (2) Swing Pipings (2)

OK

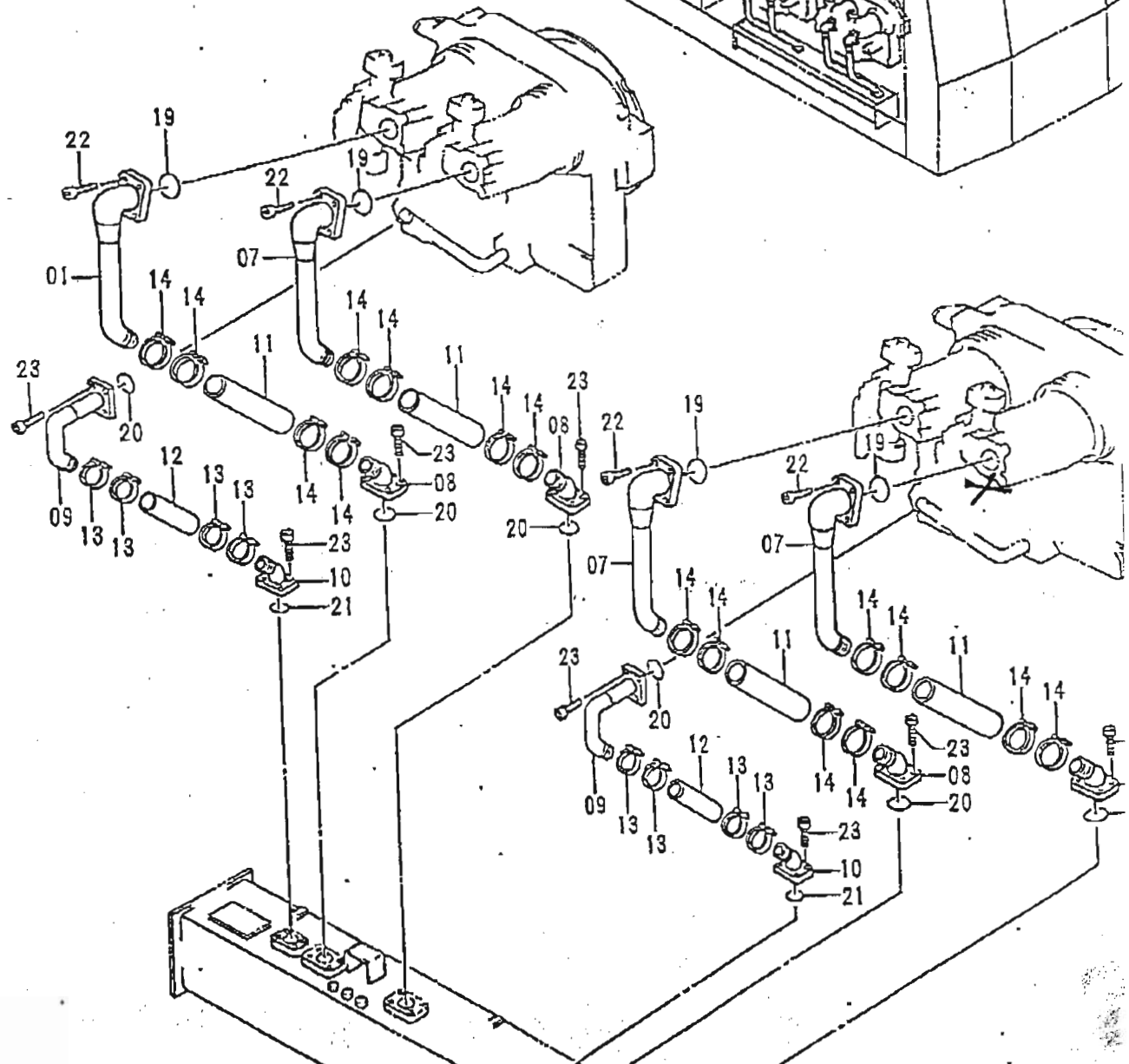
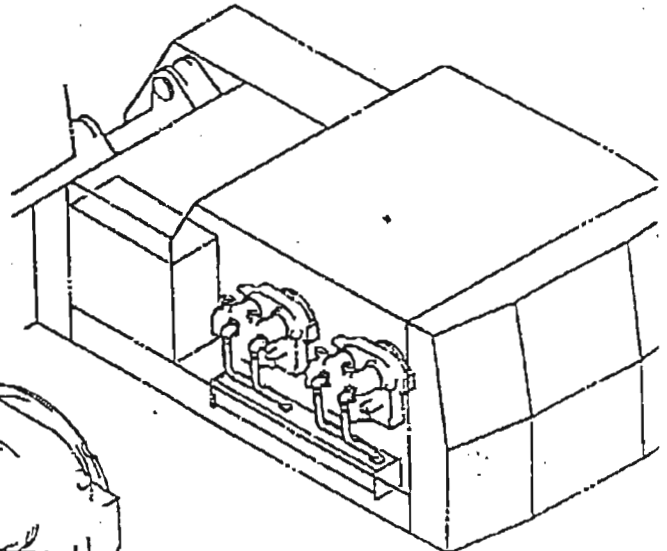


# サクション配管 (3) Suction Pipings (3)



*Stroke stop on Rear  
Pump is leaking*

OK



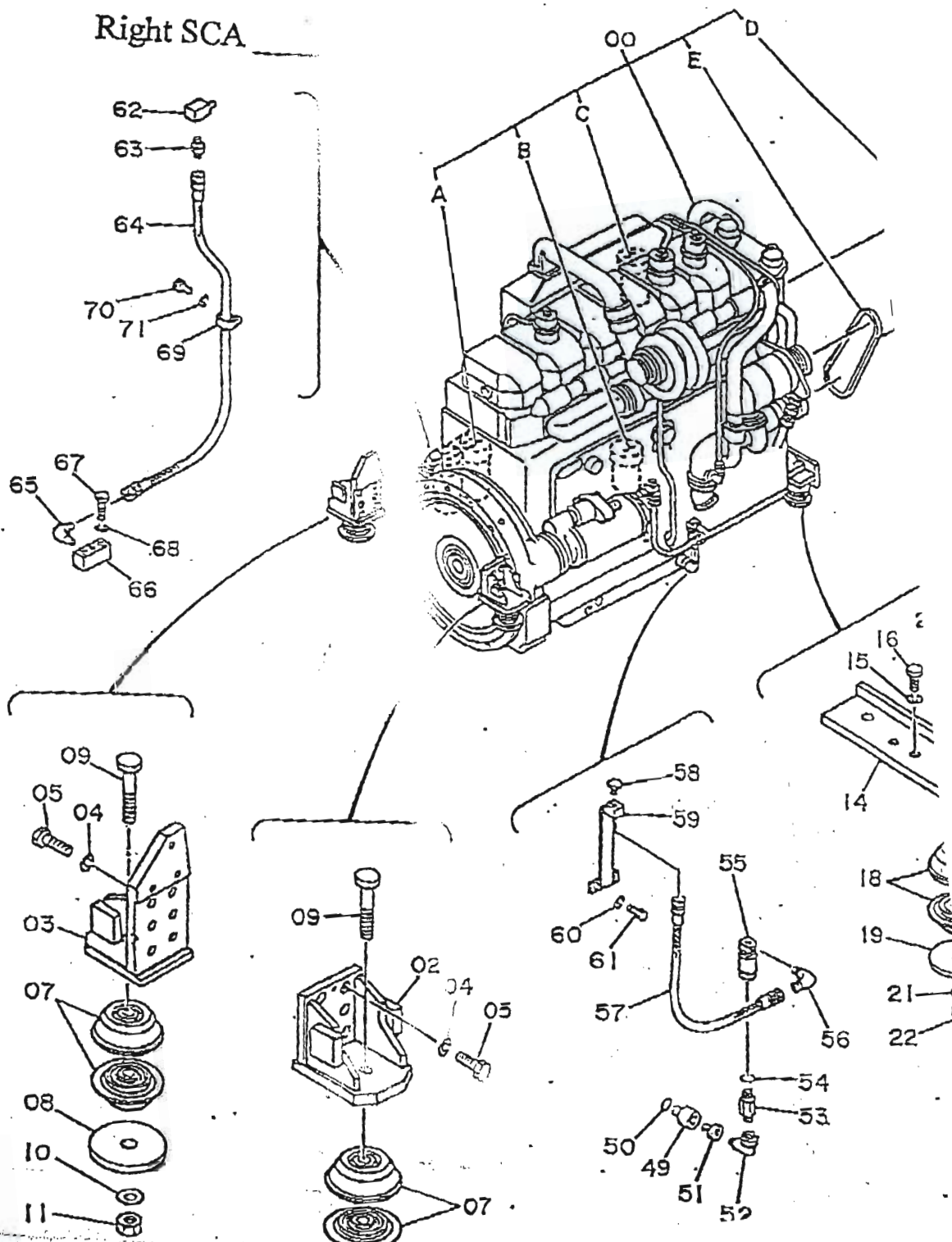
E

Engine

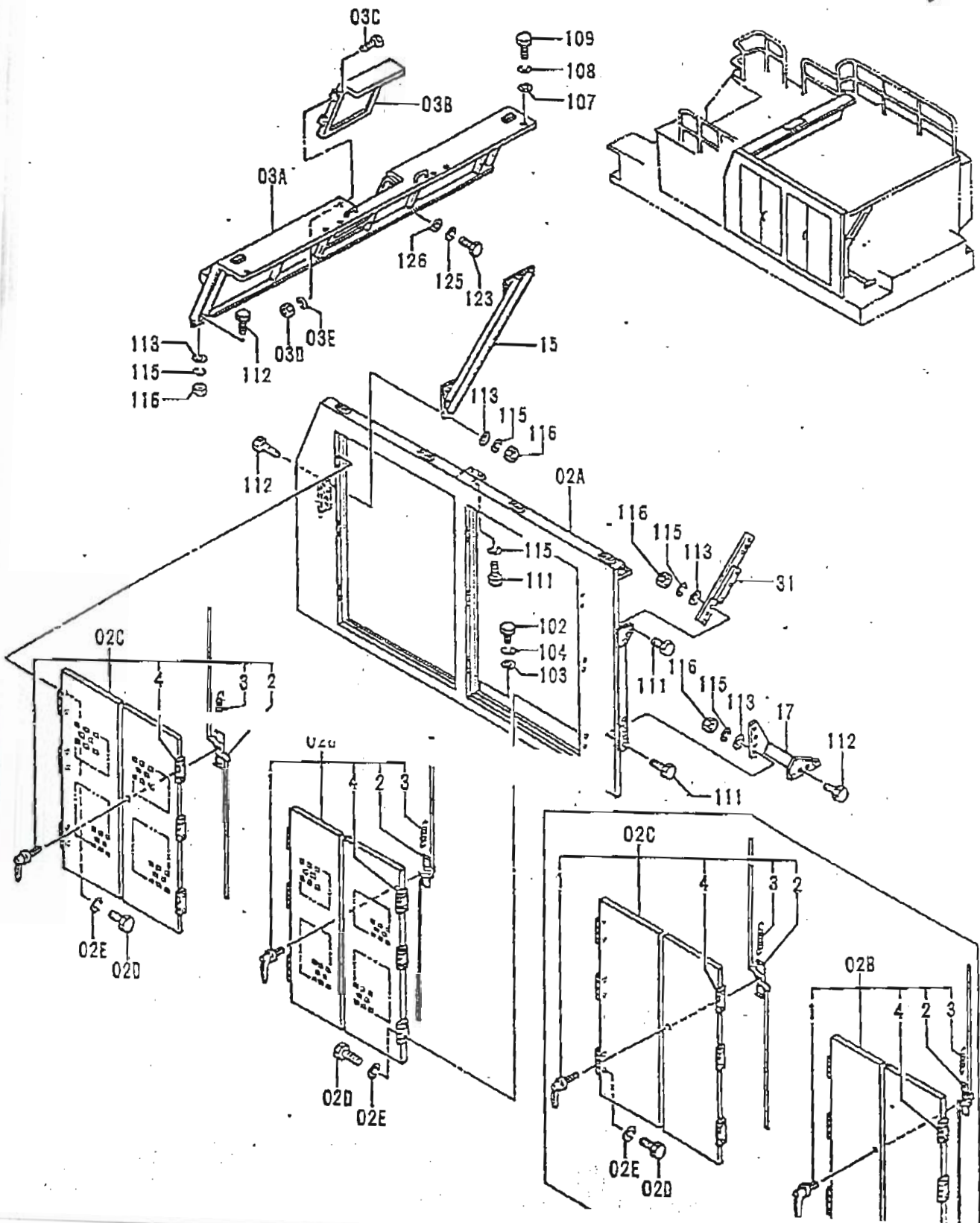
Rear  
Right

Left SCA \_\_\_\_\_

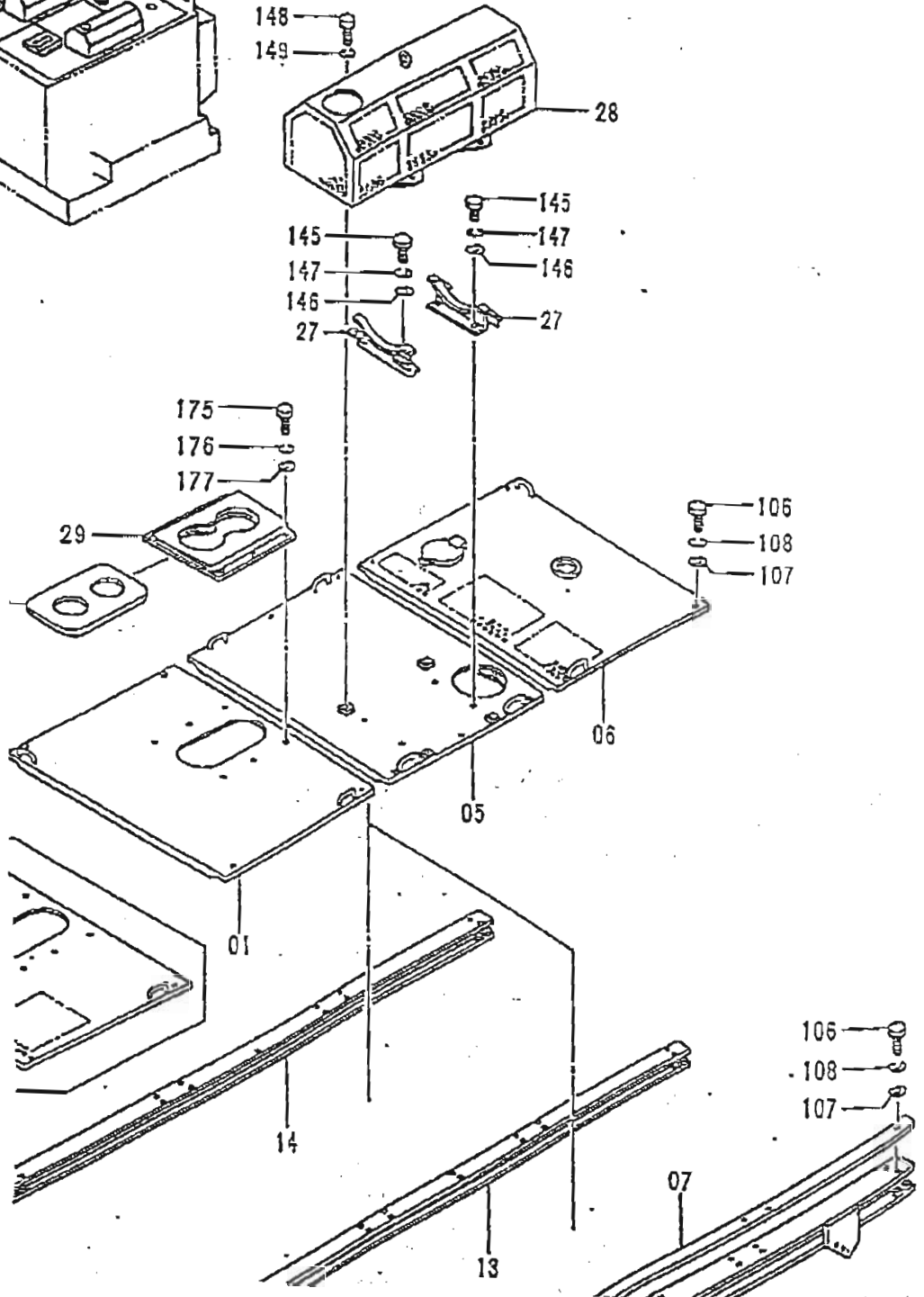
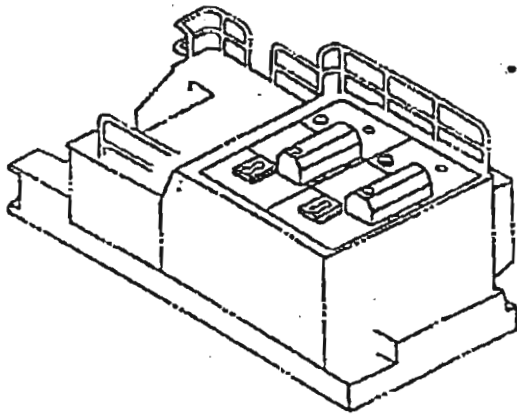
Right SCA \_\_\_\_\_



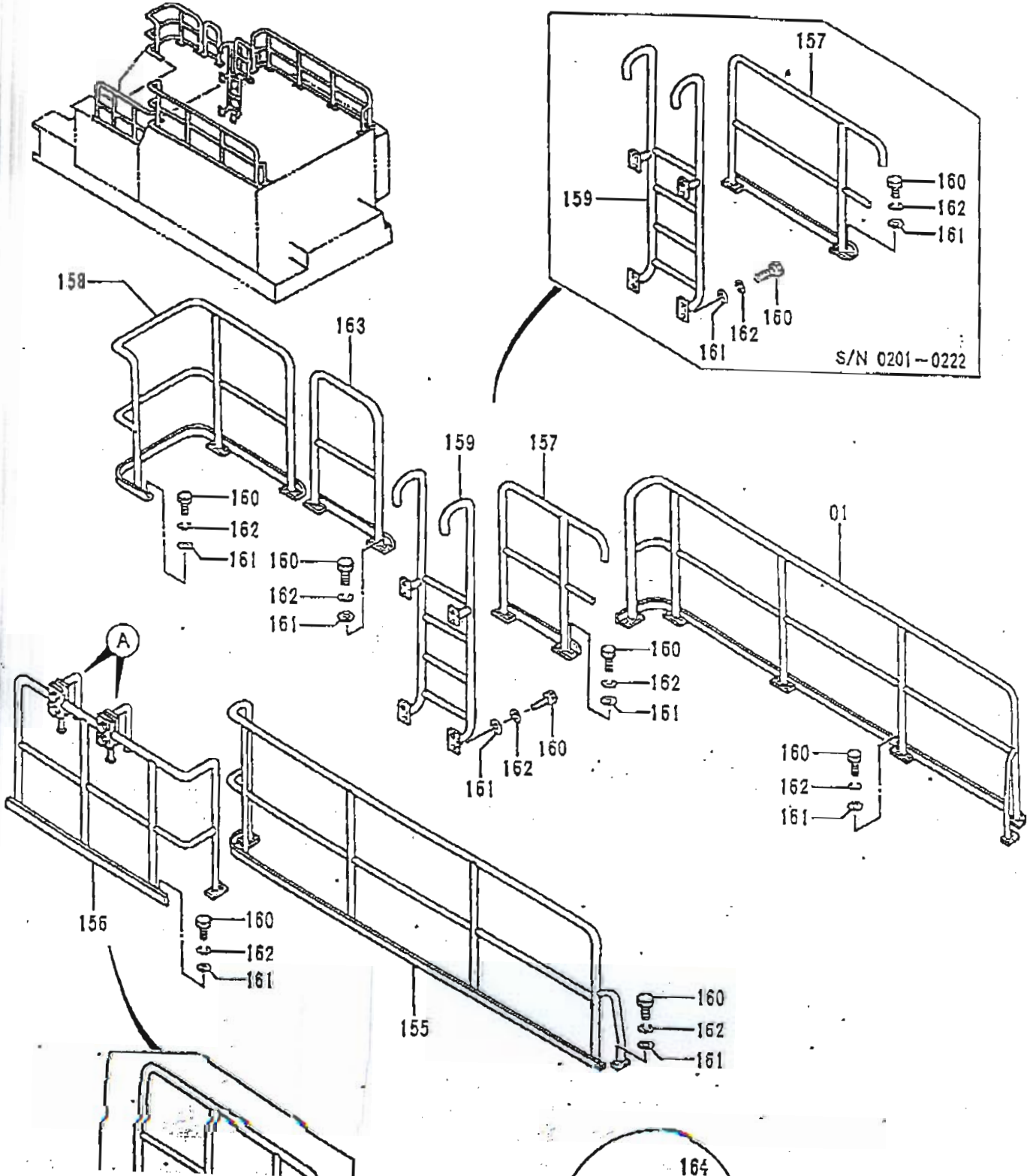
# カバー (1) Cover (1) OK



カバー (3)  
Cover (3) OK

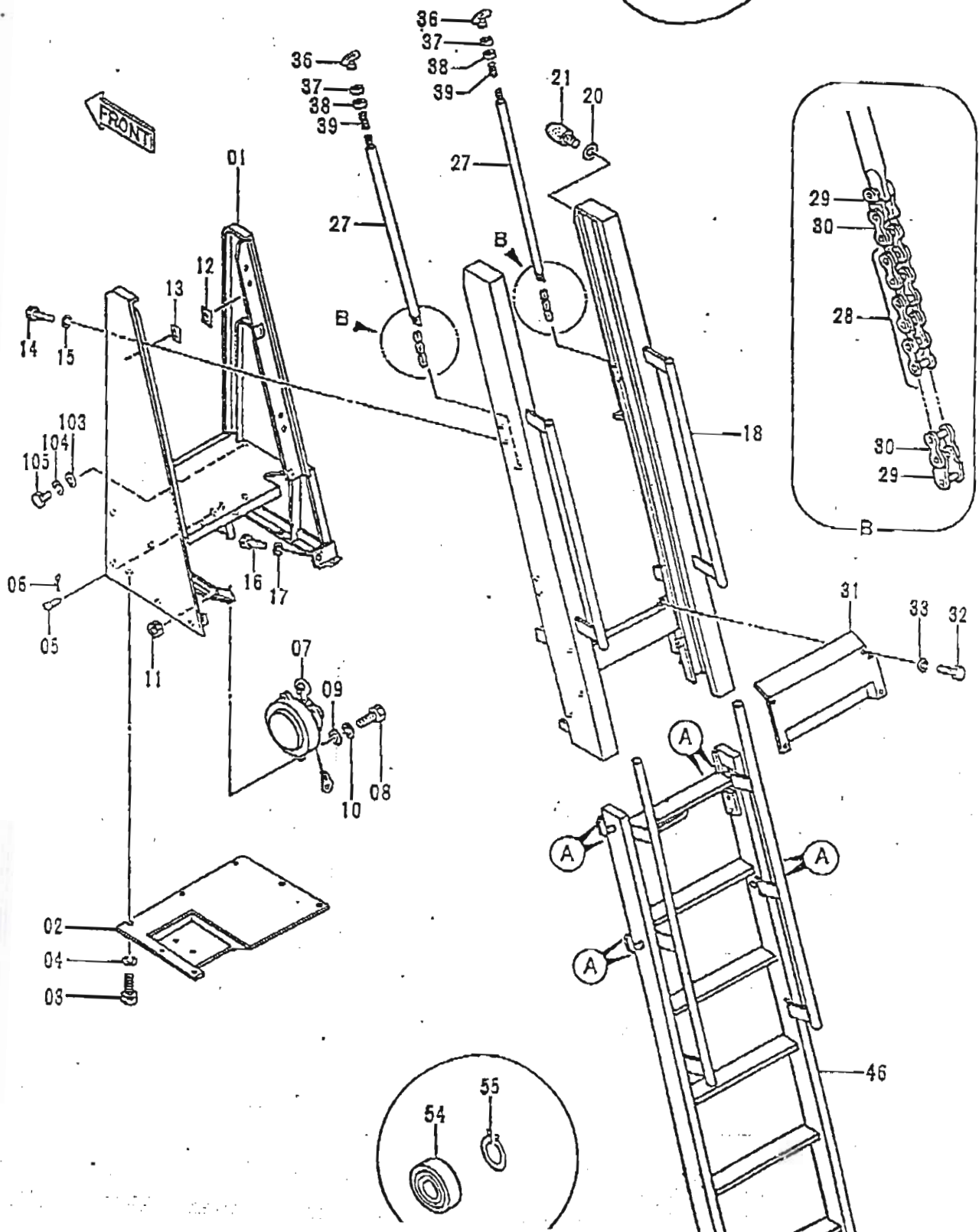
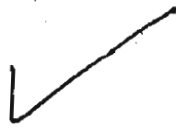


カバー (5)  
Cover (5) OK

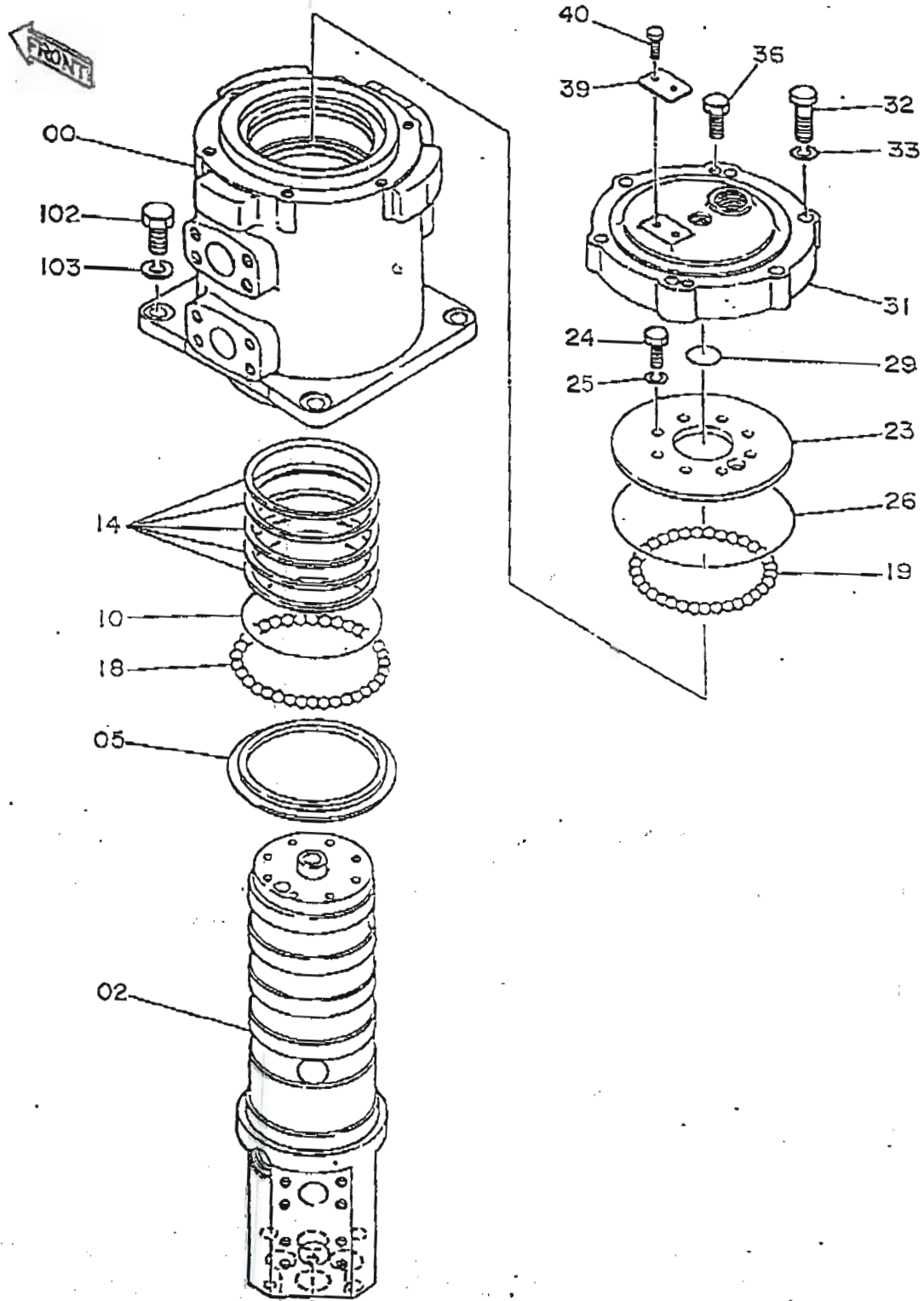


ラダー (1/2)  
Ladder (1/2)

No Ladder  
(missing)

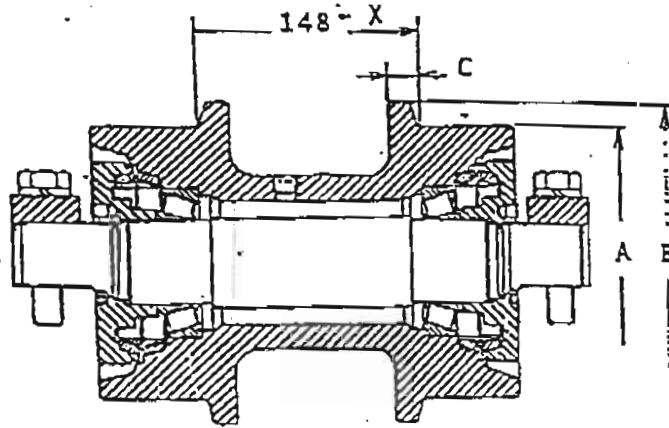


センタージョイント  
Center Joint OK



UPPER ROLLER

2. WEAR LIMIT



All top roller bad. Oval shaped

Unit:mm

Item	ND	LU	Remedy
A	200	176	Rebuild & finish
B	236	214	"
C	21	10	"

ND: Nominal dimension LU: Limit of use

LEFT

RIGHT

A    B    C    X

A    B    C    X

1 \_\_\_\_\_

2 \_\_\_\_\_

3 \_\_\_\_\_

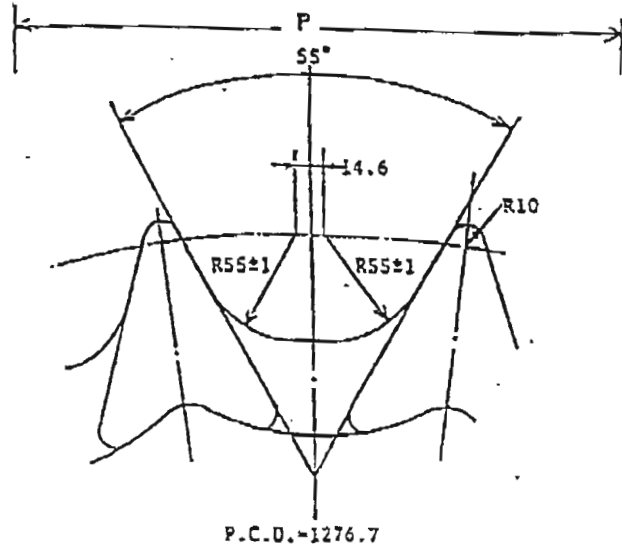
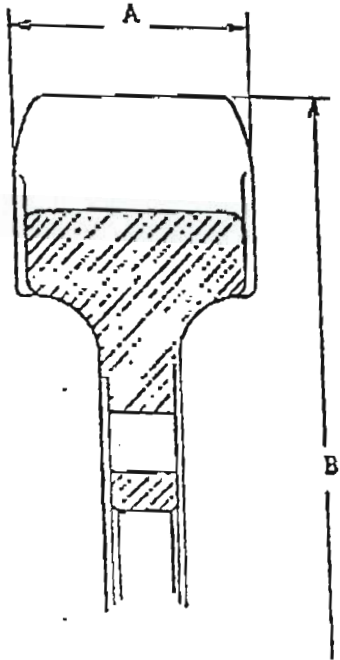
1 \_\_\_\_\_

2 \_\_\_\_\_

3 \_\_\_\_\_

TRAVEL REDUCTION DEVICE

2. WEAR LIMIT



Unit: mm

Item	ND	LU	Remedy
A	132	105	Rebuild or replace
B	1300±3	1280	"
P(Pitch)	317.5±0.4	-	-

ND: Nominal dimension LU: Limit of use

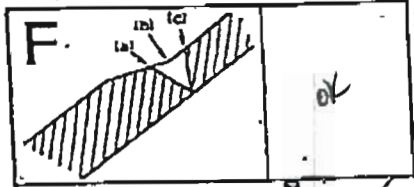
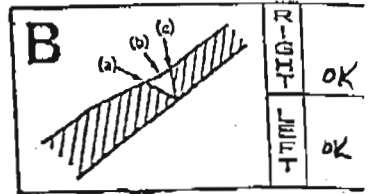
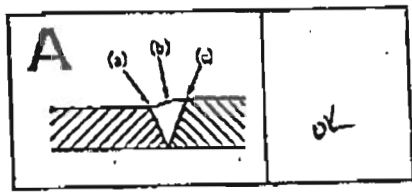
LEFT

RIGHT

A 123

A 123

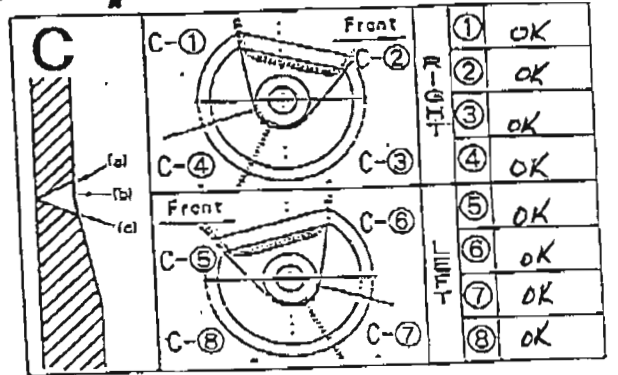
Backhoe Boom 8.7m 1



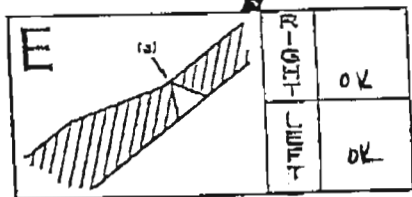
F/No. ~25

Left

Front

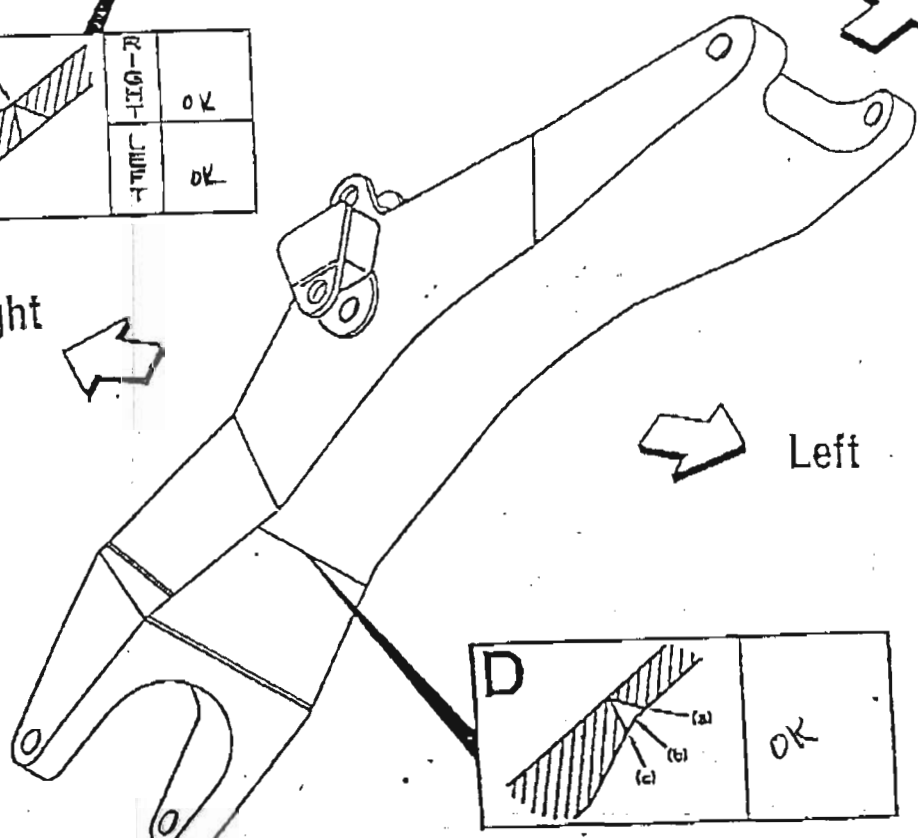


Right



Right

Front



Left

